

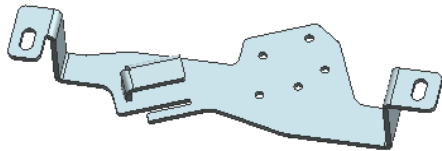
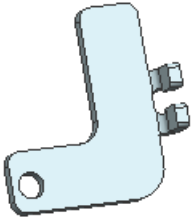
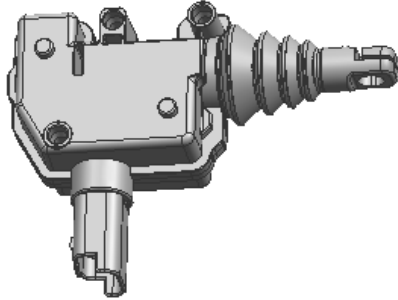


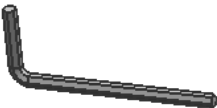
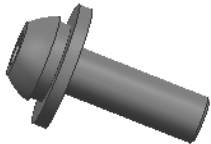

TAILGATE CENTRAL LOCKING KIT FOR NISSAN NAVARA 2021 (WITH KEY HOLE)

Installation Instruction

CAUTION:



1. The figures here are for reference only and may have differences with the actual product you received, however they share the same assembly way.
2. Please read the instruction completely for easy installation, which will also help you to avoid scratches or other potential damages to your appealing car.

PART LIST:

NO.	QTY	NAME	NO.	QTY	NAME
①	1	 Bracket	②	1	 Locking plate
③	1	 Actuator	④	1	 Wire Harness (Universal)
⑤	1	 Wire harness (connect to fuel cap)	⑥	1	 Allen wrench S=4
⑦	2	 Hexagon socket screw, spring washer & flat washer combo M6_20	⑧	3	 Phillip tapping screw ST4.8_16

Item NO: PW04607801

Name: Tailgate Central Locking Kit For Nissan Navara NP300 2021

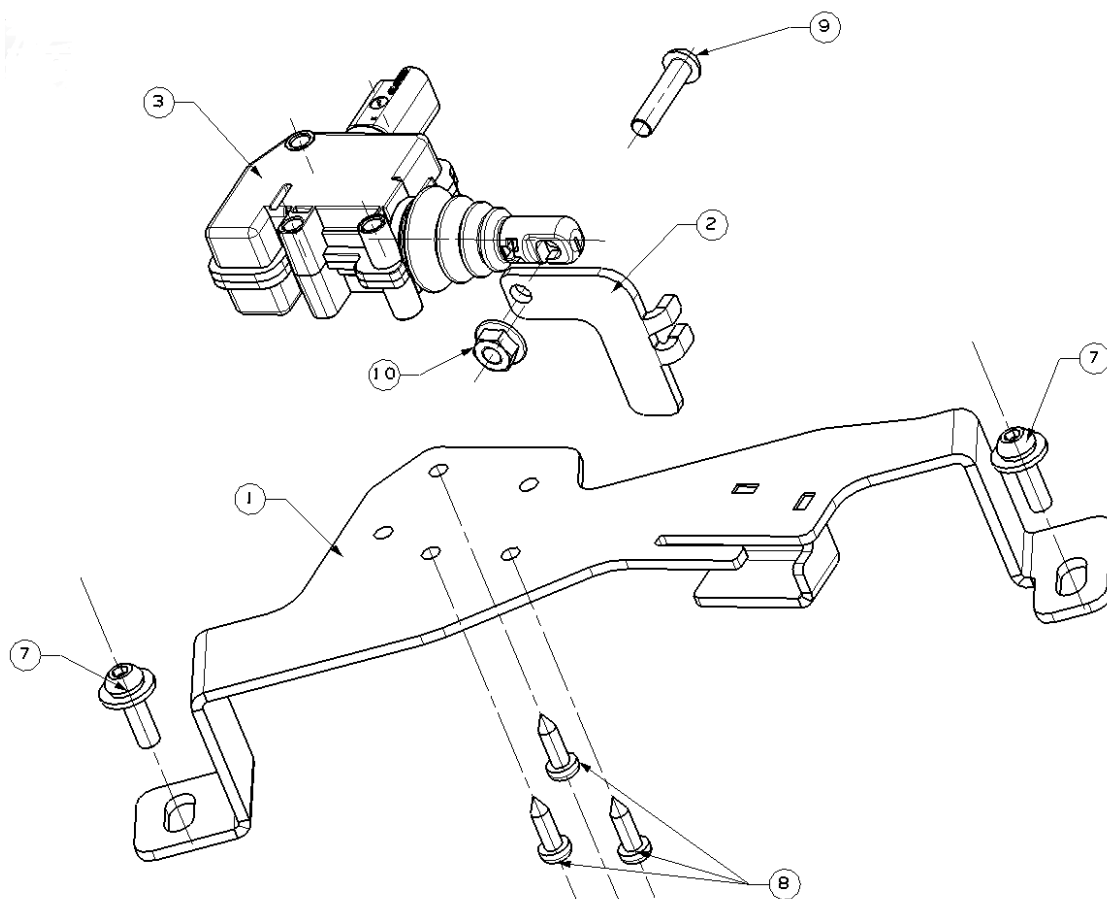
⑨	1	 Hexagon Socket Button Head Screws M6_25	⑩	1	 Hex flange nut M6
---	---	---	---	---	--

STEP ONE: Bracket installation

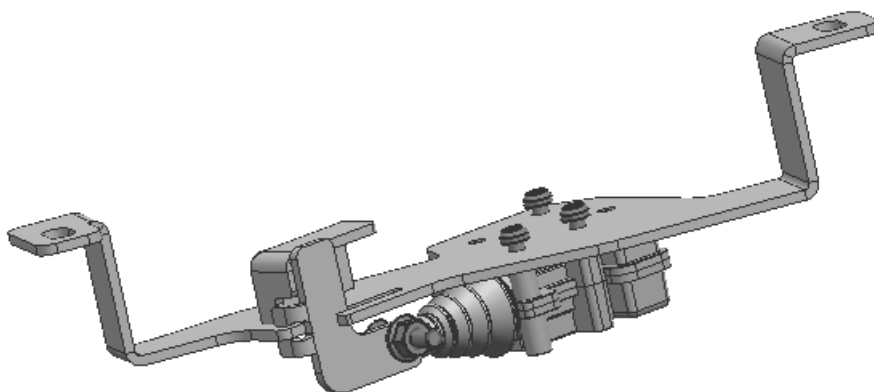
Remove the plastic cover plate and the steel cover plate on tailgate after loosing the 8 screws orderly.



STEP TWO Installing diagram:

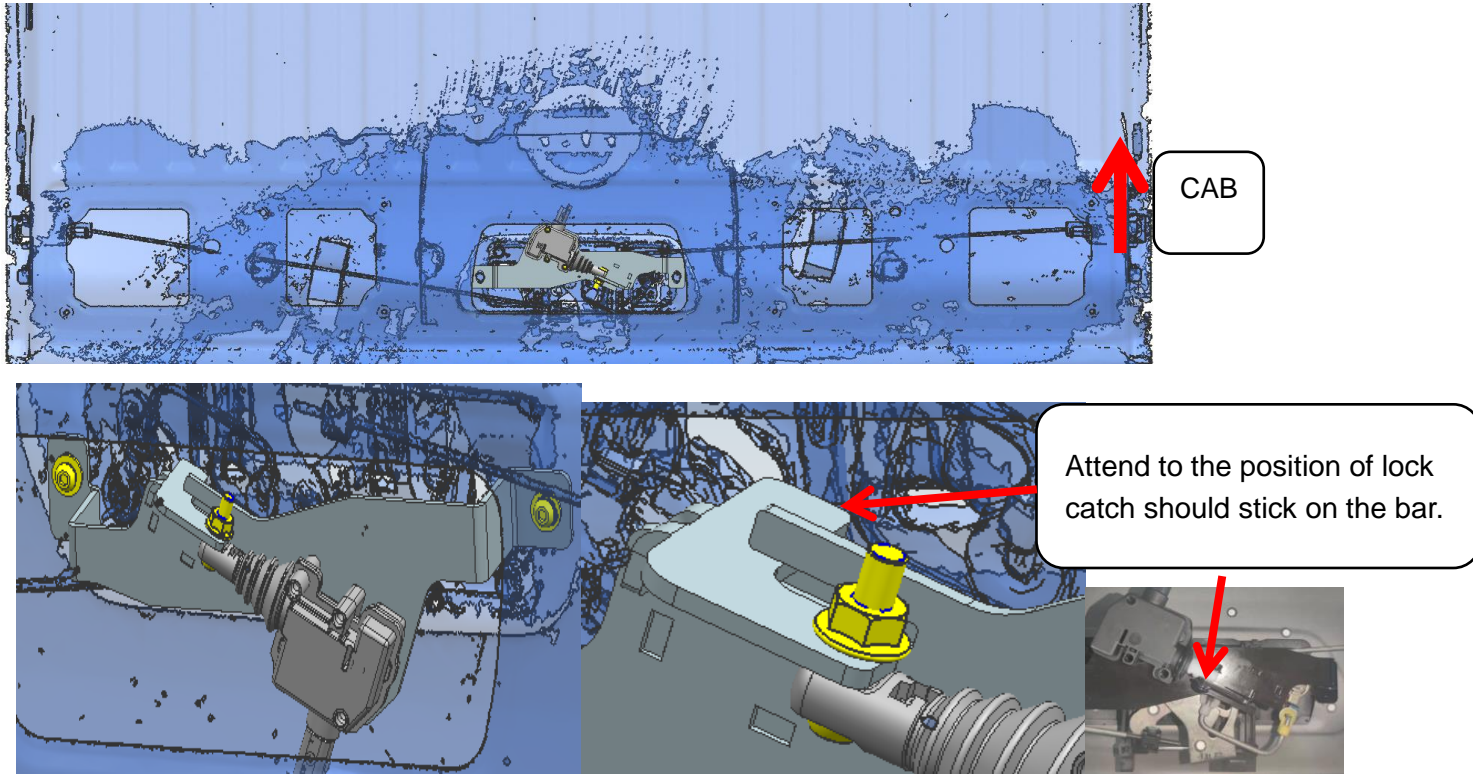


Installing the lock assembly, refer to the diagram above, Combine ① Bracket 、 ② Locking plate、 ③ Actuator with ⑧ Phillip tapping screw ST4.8_16 ⑨ Hexagon Socket Button Head Screws M6_25 and ⑩ Hex flange nut M6.



STEP THREE:

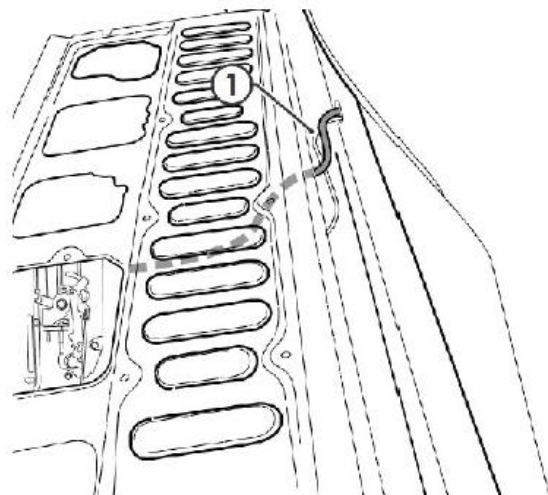
Put the bracket assembly into inside of the tailgate and fixing up with ⑥Allen wrench, ⑦Hexagon socket screw, spring washer & flat washer combo M6_20, ⑧ M6 Flat Washer ⑫ Hex nut M6 as the diagram shows below; After the installation, attend to whether the ②lock catch is installed on the correct position, slightly move the lock catch and see whether is it running softly.



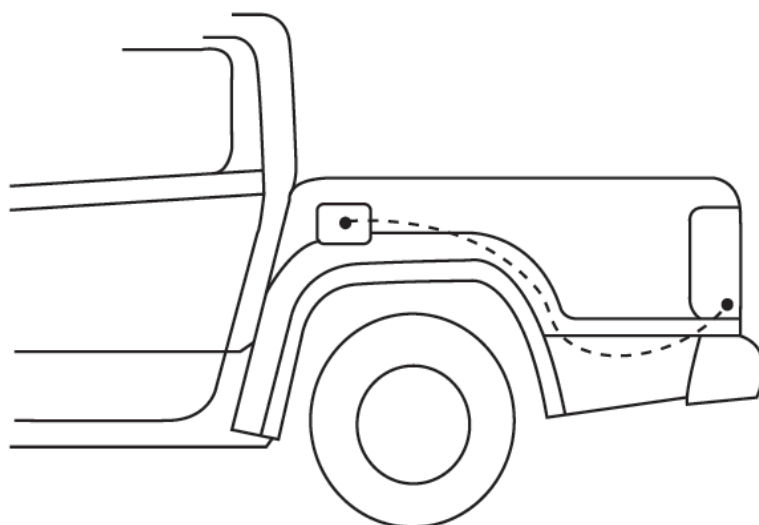
Install the steel cover plate back to the tailgate after the installation, wiring harness connection and testing. The ways of wiring harness connection show below.

STEP FOUR: Wiring harness connection

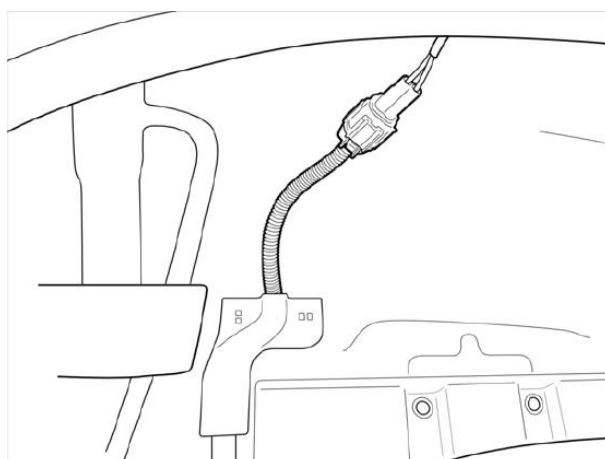
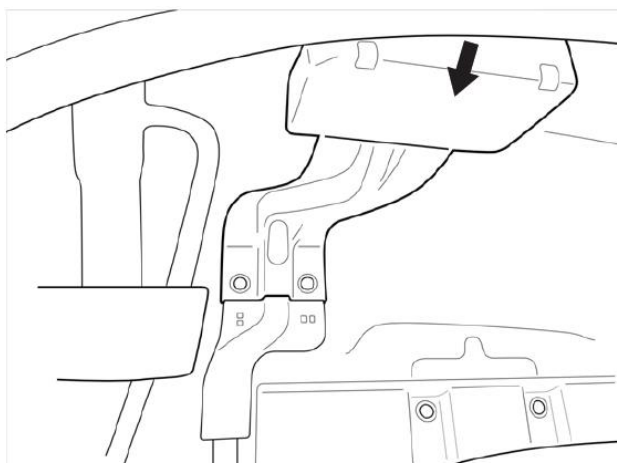
1. connect the ④ wiring to the actuator then route the wiring harness out of the tailgate and underneath the vehicle



2. Route the ④ wire harness from tailgate to fuel cap.



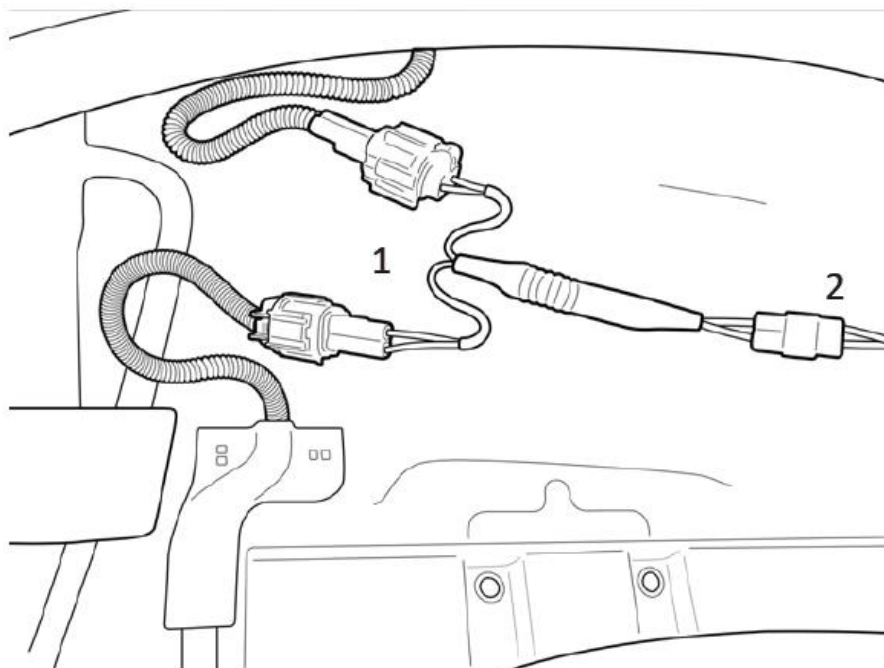
3. Remove indicated fuel cap wiring cover.



4. As below picture shows, connect the OE wiring with ⑤ (the wire harness we supplied).

Item NO: PW04607801

Name: Tailgate Central Locking Kit For Nissan Navara NP300 2021



Finish all the installation, test the tailgate lock function with the remote control, after testing reinstall the fender flare and tailgate cover.

