

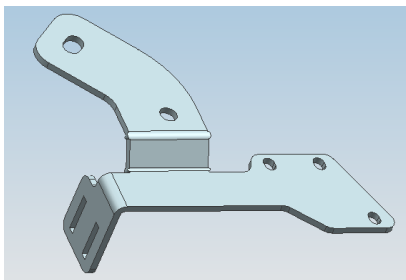
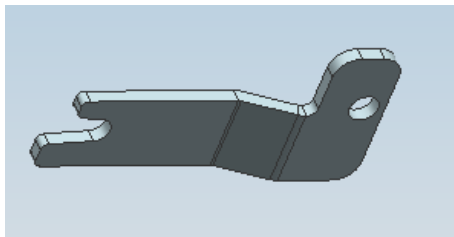
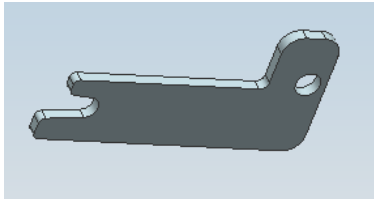
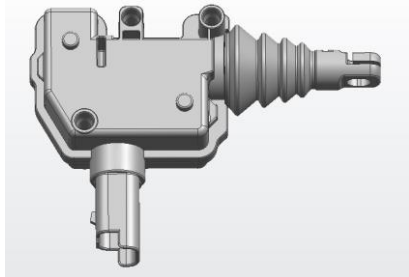

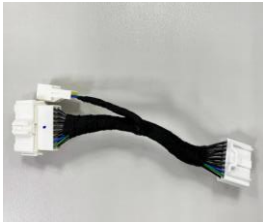


TAILGATE CENTRAL LOCKING KIT FOR MITSUBISHI TRITON 2015-2021

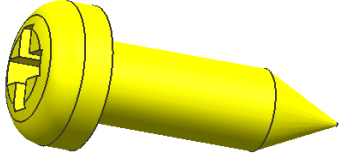

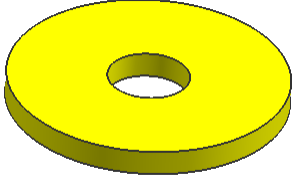
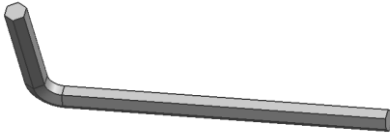
Installation Instruction

CAUTION:

1. The figures here are for reference only and may have differences with the actual product you received, however they share the same assembly way.
2. Please read the instruction completely for easy installation, which will also help you to avoid scratches or other potential damages to your appealing car.

PART LIST:

NO.	QTY	NAME	NO.	QTY	NAME
①	1	 Bracket	②	1	 Unlocking plate (Small lock handle)
③	1	 Unlocking plate (Large lock handle)	④	1	 Actuator
⑤	1	 Wire harness 1(Universal)	⑥	1	 Wire harness 2
⑦	1	 Hex flange nut M6	⑧	3	 Hexagon Socket Button Head Screws M6_20

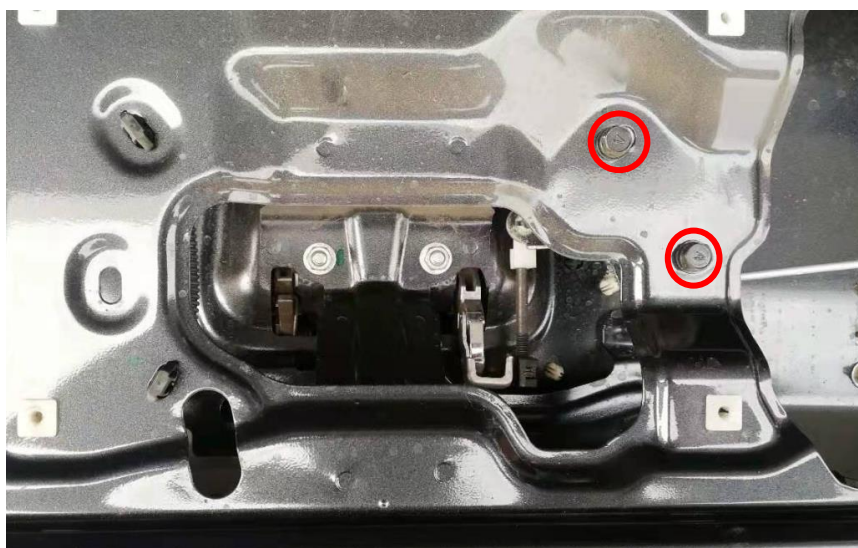
⑨	3	 <p>Phillip tapping screw ST4.8_16</p>	⑩	2	 <p>Spring washer D6</p>
⑪	2	 <p>Large washer D6</p>	⑫	1	 <p>Allen wrench S=4</p>

● Brackets Installation:

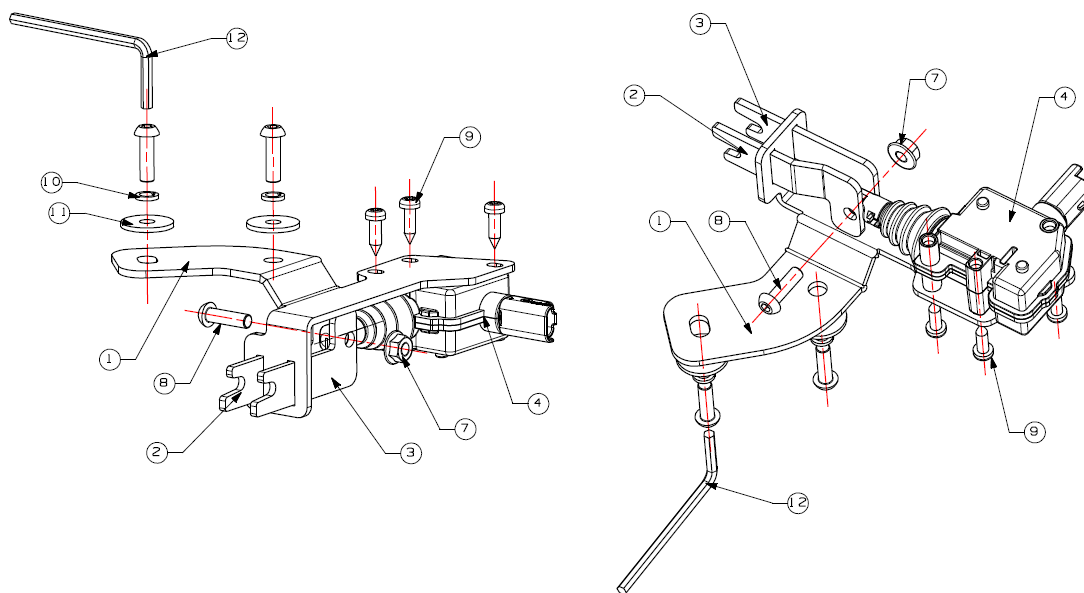
1、 Remove the steel cover plate on tailgate by loosening the screws, and then remove the metal cover.(put away the screws and cover)



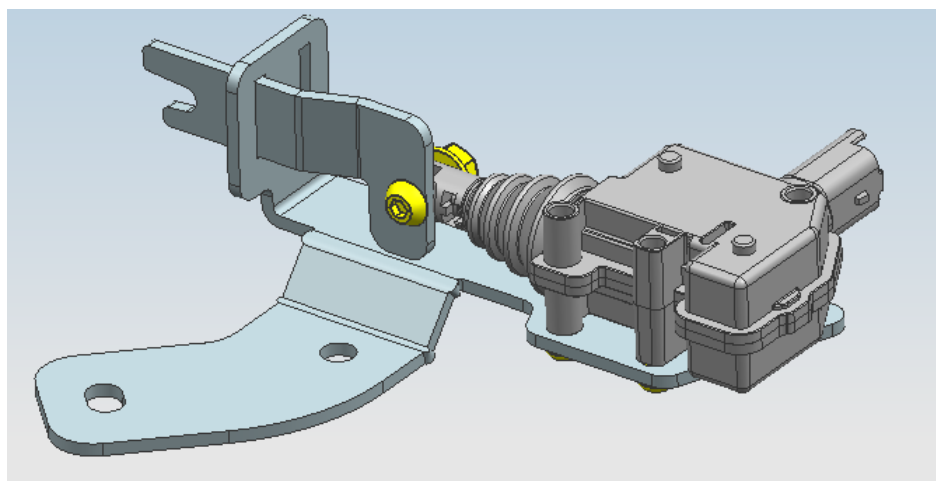
2、 Remove the 2 screws of the original car to install the actuator.



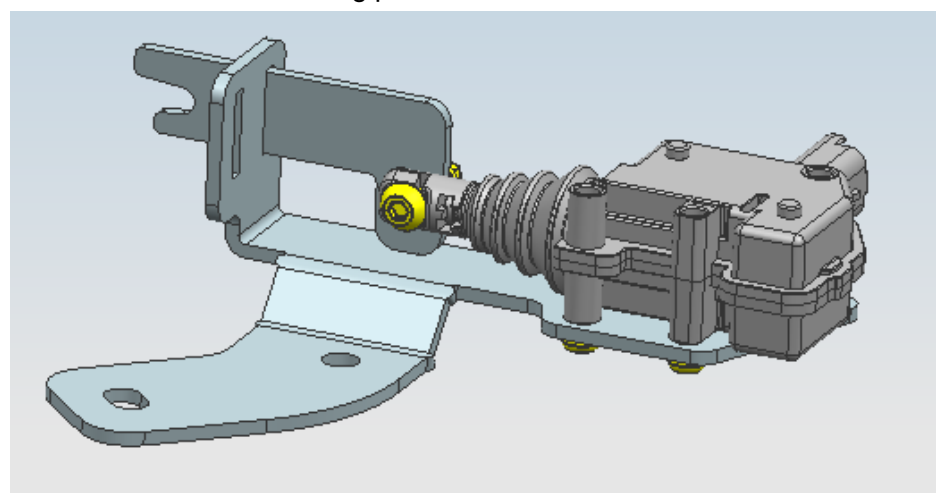
3、As below photo shows, install ② ③ ④ with ①.



Install ② ③ ④ to ① with ⑨ ⑦ ⑧. After completion, as below photo shows:

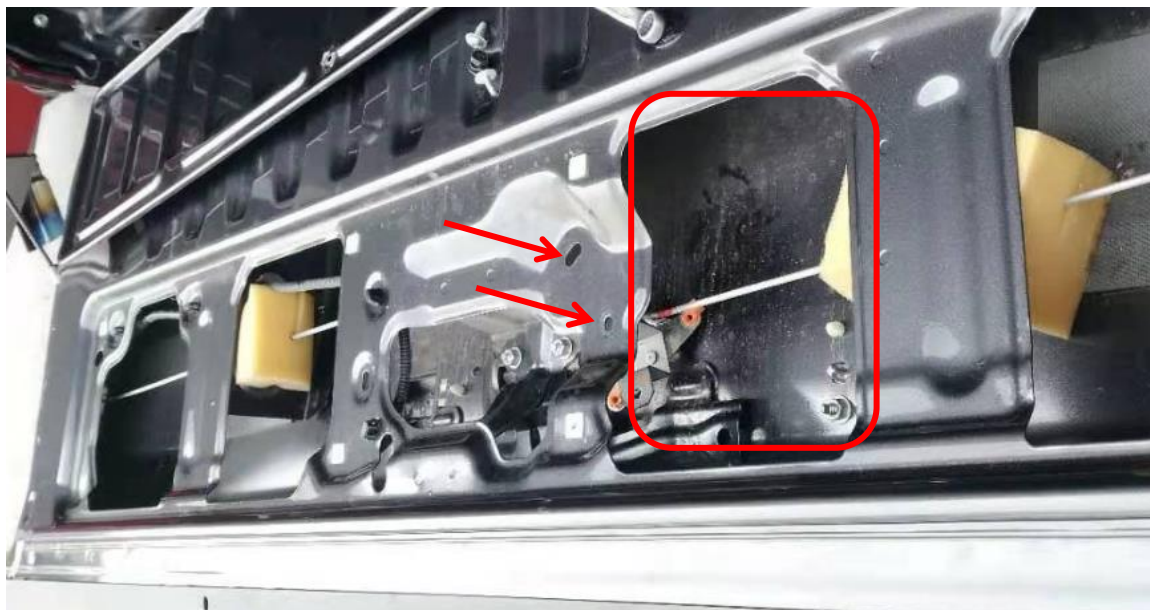


Unlocking plate (Small lock handle)

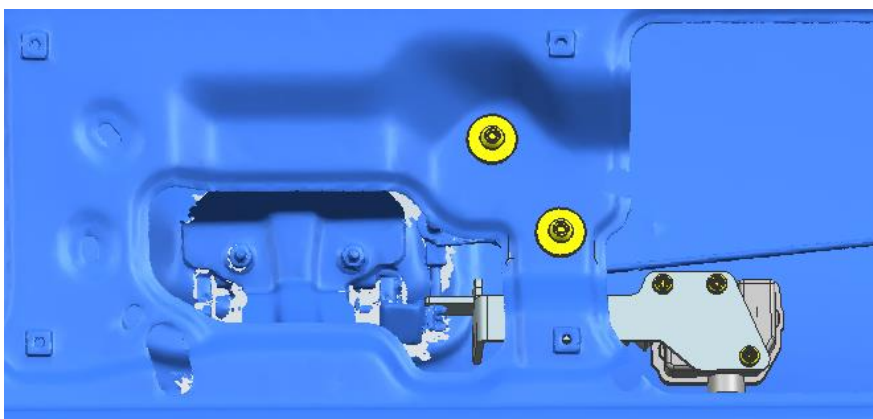


Unlocking plate (Large lock handle)

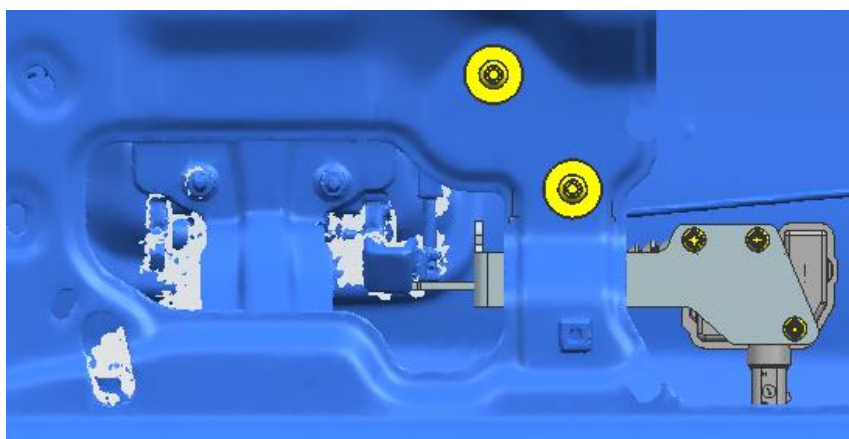
4、 After assembling, insert ⑤ to the Actuator, and then extend the Actuator below the installation point of the arrow through the hole of the tailgate.



5、 Install Actuator on the tailgate with ⑧ ⑩ ⑪； Note that the unlocking plate (Small/Large lock handle) are different:

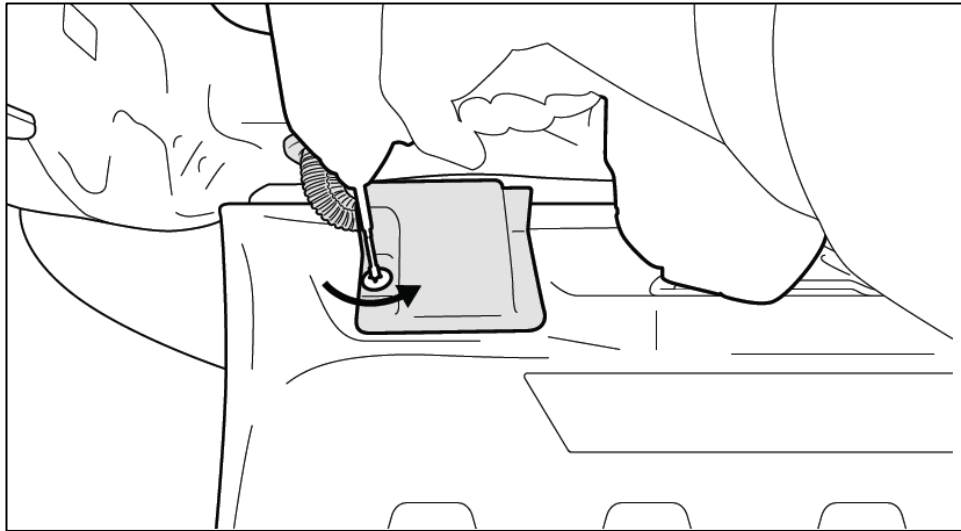


The unlocking plate (Small lock handle) is stuck on the black square on the side of the original car lock (as shown by the arrow above the red square)

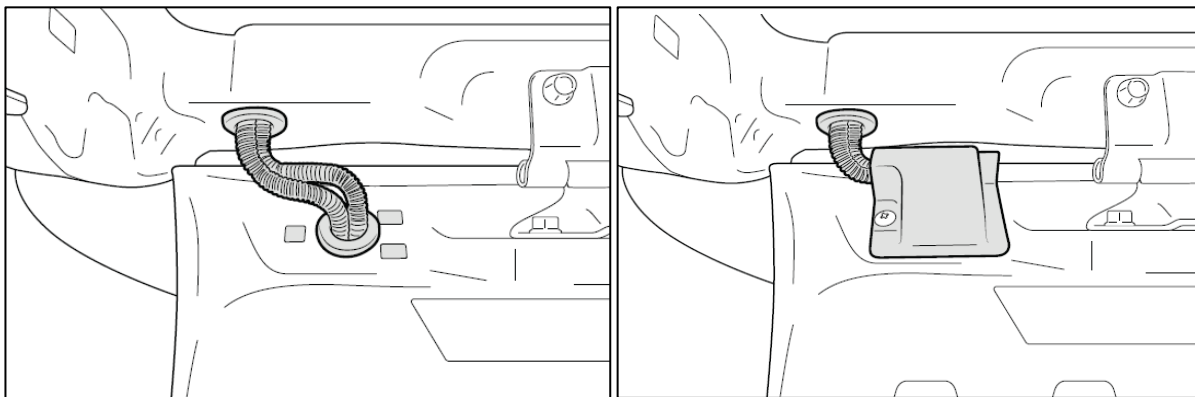


The unlocking plate (Large lock handle) is stuck on the black square on the side of the original car lock (as shown by the arrow below the red square)

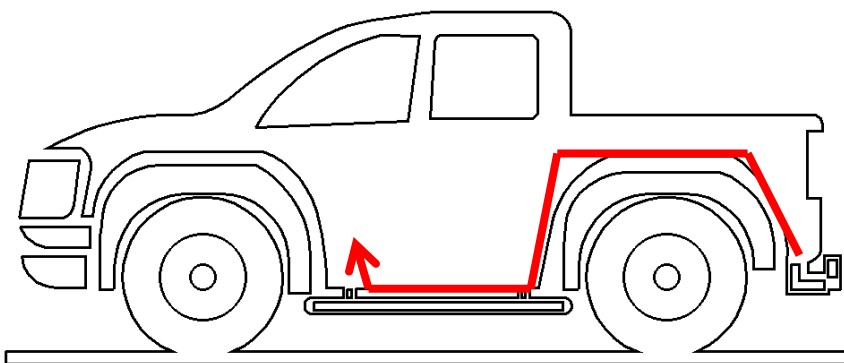
6. Remove the original car wiring cover, which is located on the left side of the tailgate, as shown in the figure below:

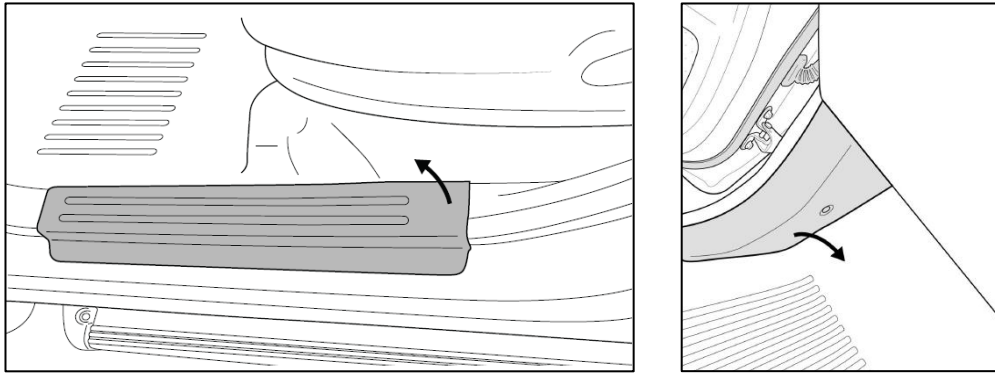


7. Pass the ⑤ through the trunk wiring hole and put on the cover;



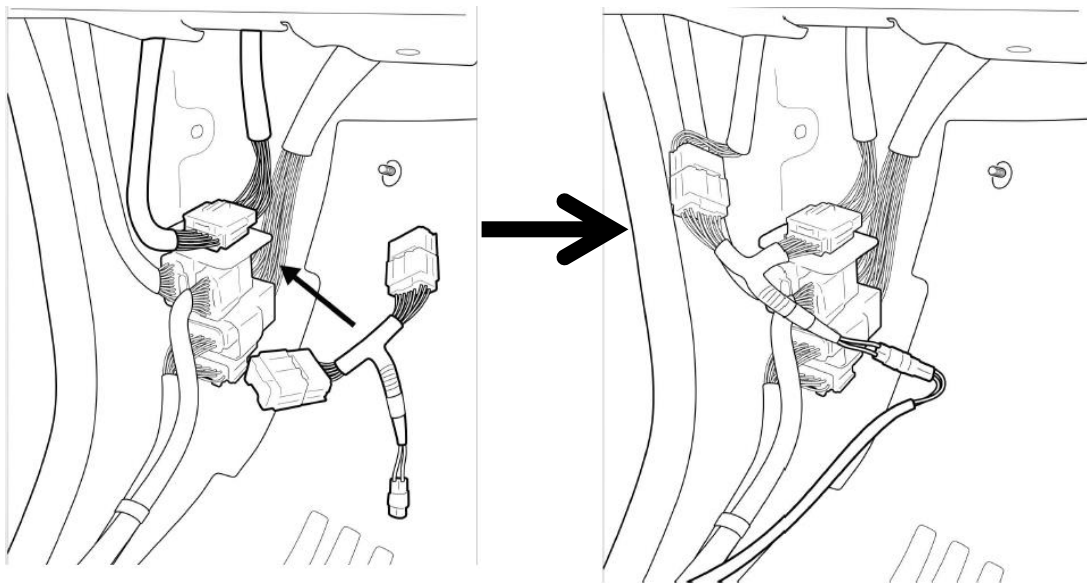
8. Removal of running board and side panel on the driver's side for easy routing.





9. Unplug indicated plug and plug the ⑥ wire harness 2.

As below picture shows, connect ⑤ wire harness 1 with ⑥ wire harness 2.



10. Test the tailgate lock function with the key fob. Then reinstall the cover plate on tailgate.

