

INSTALLATION INSTRUCTION

ITEM NO.: RAG120315A

DESCRIPTION: FRONT GUARD A1 FOR RANGER T6 2012

Attention:

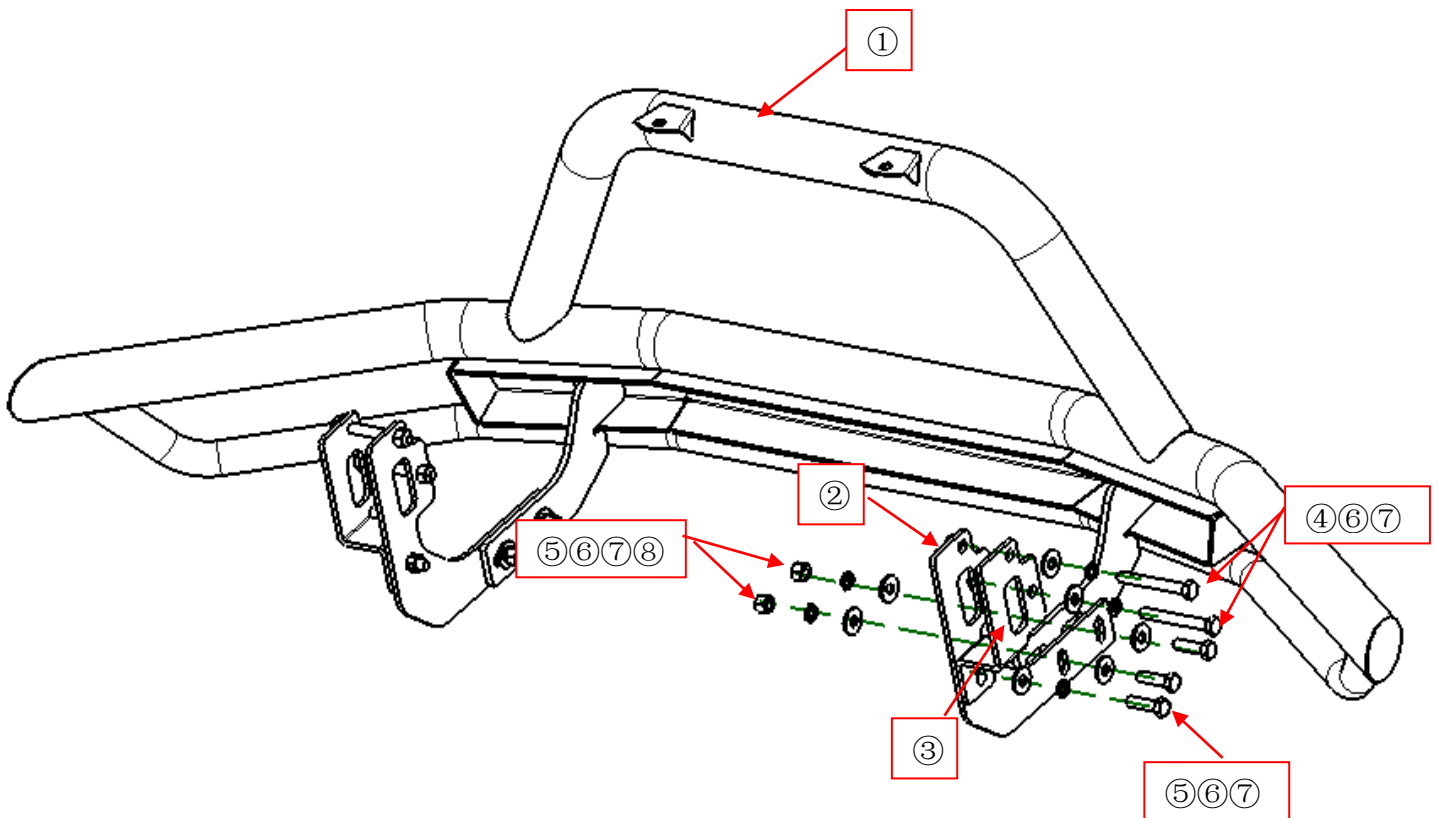
- Please read this installation menu before installing this part. Protect your car properly in case there is any scratch might have.
- You may need to periodically to re-tighten all hardware for safety use after installation.
- Installation pictures are only for your reference, there might be some differences between pictures and real parts but no affect for your fitting.

PART LIST

NO.	NAME	QTY	REMARK	NO.	NAME	QTY	REMARK
①	Front Guard	1		⑤	Hexagon Bolt	6	M12*40
②	Bracket 1	2		⑥	Large Washer	14	φ12x30x3.0
③	Bracket 2	2		⑦	Spring Washer	10	φ12
④	Hexagon Bolt	4	M12*90	⑧	Hexagon Nut	4	M12

Note: It is the same way to install both sides.

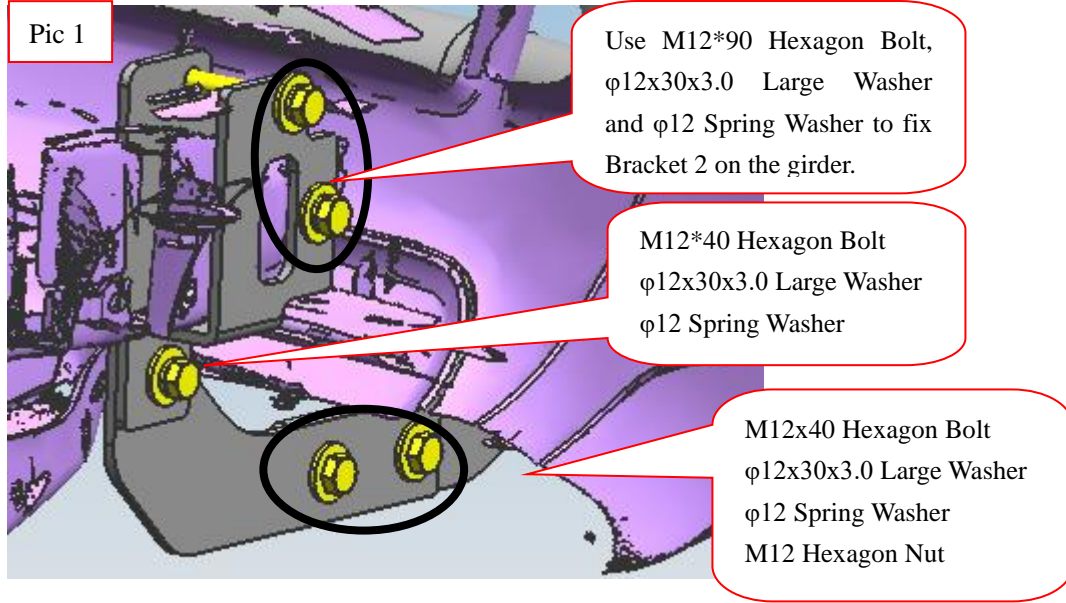
INSTALLATION PICTURE



INSTALLATION PROCEDURES

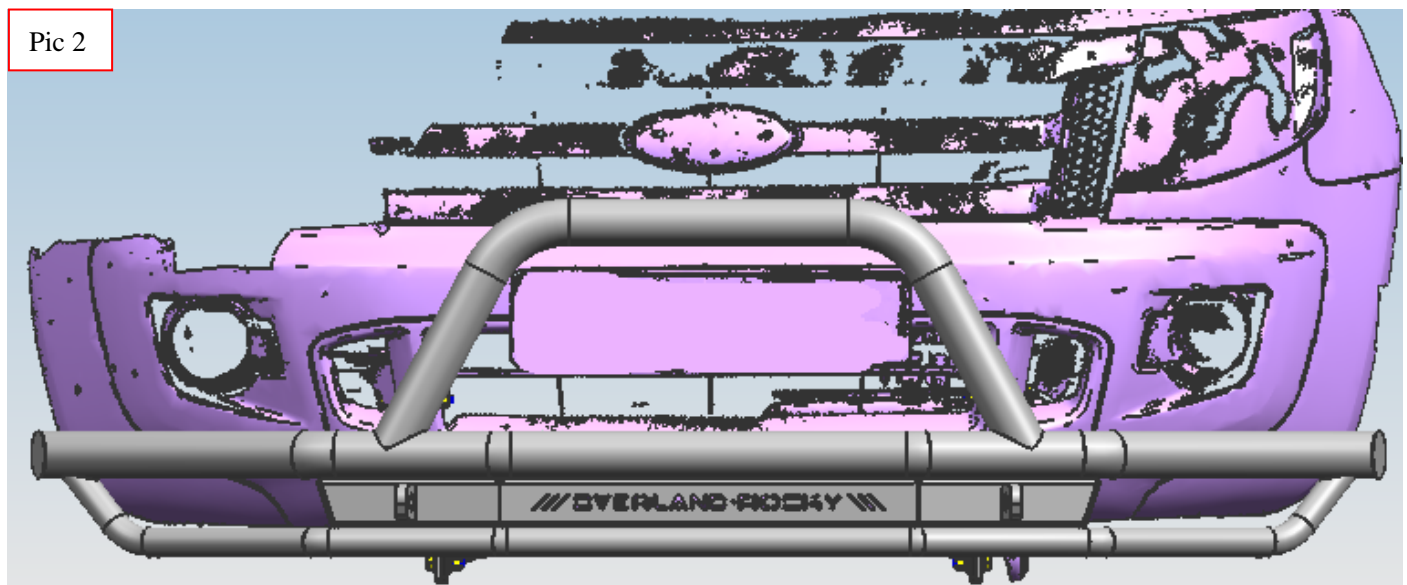
Step 1: Refer to Part List and Installation Picture to check if all hard ware are included.

Step 2: Refer to Pic 1 to install the brackets on the girder.



Step 3: Install the front guard on the brackets and then adjust them to the proper positions.

Step 4: Check if all hard ware are installed and then fasten all to complete the installation.



Disclaimer: Caused due to improper installation initiates some related problem and losses, are beyond our company's quality assurance.