

Product instructions for use

INSTALLATION MANUAL

Product name: F20 roll bar with basket

PRODUCT NAME:F20 roll bar with basket

一、 matters need attention

1. NOTICE:

- For your installation, please read the instruction manual carefully before installation; Protect the surface of your car and avoid scratches.
- Please check all the accessories for loose parts to ensure safe use.
- All the pictures in this manual are for reference only. The pictures may be different from the real object, but the installation method is the same.
- For the convenience of installation, please read the goods manual carefully before installation ; When installation, please pay attention to protect your cars surface, and avoid scratches.
- Please check all the accessories connected to the car whether loose or not, and ensure the security. Clean the side bar regular to keep it clean.
- All the pictures in this manual are only for reference, the picture and material object may have different, but the installation method is the same.

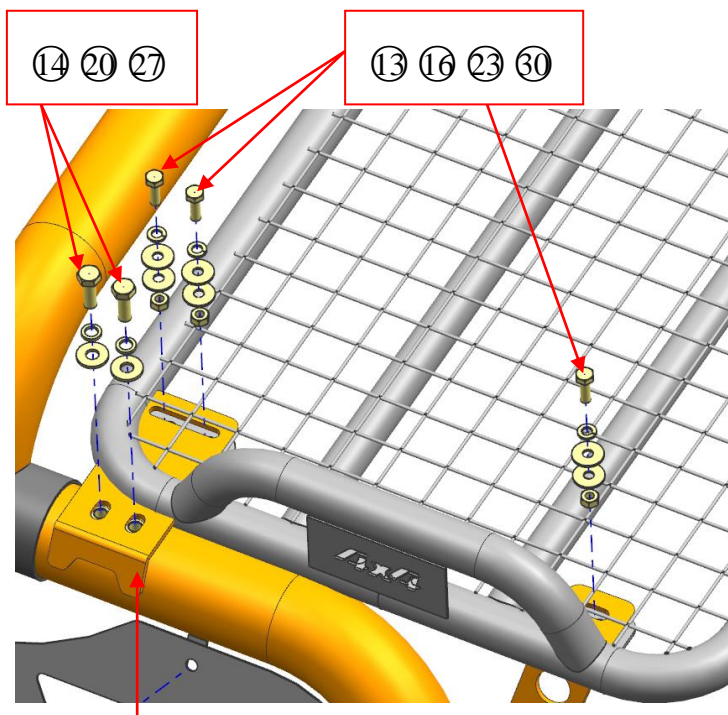
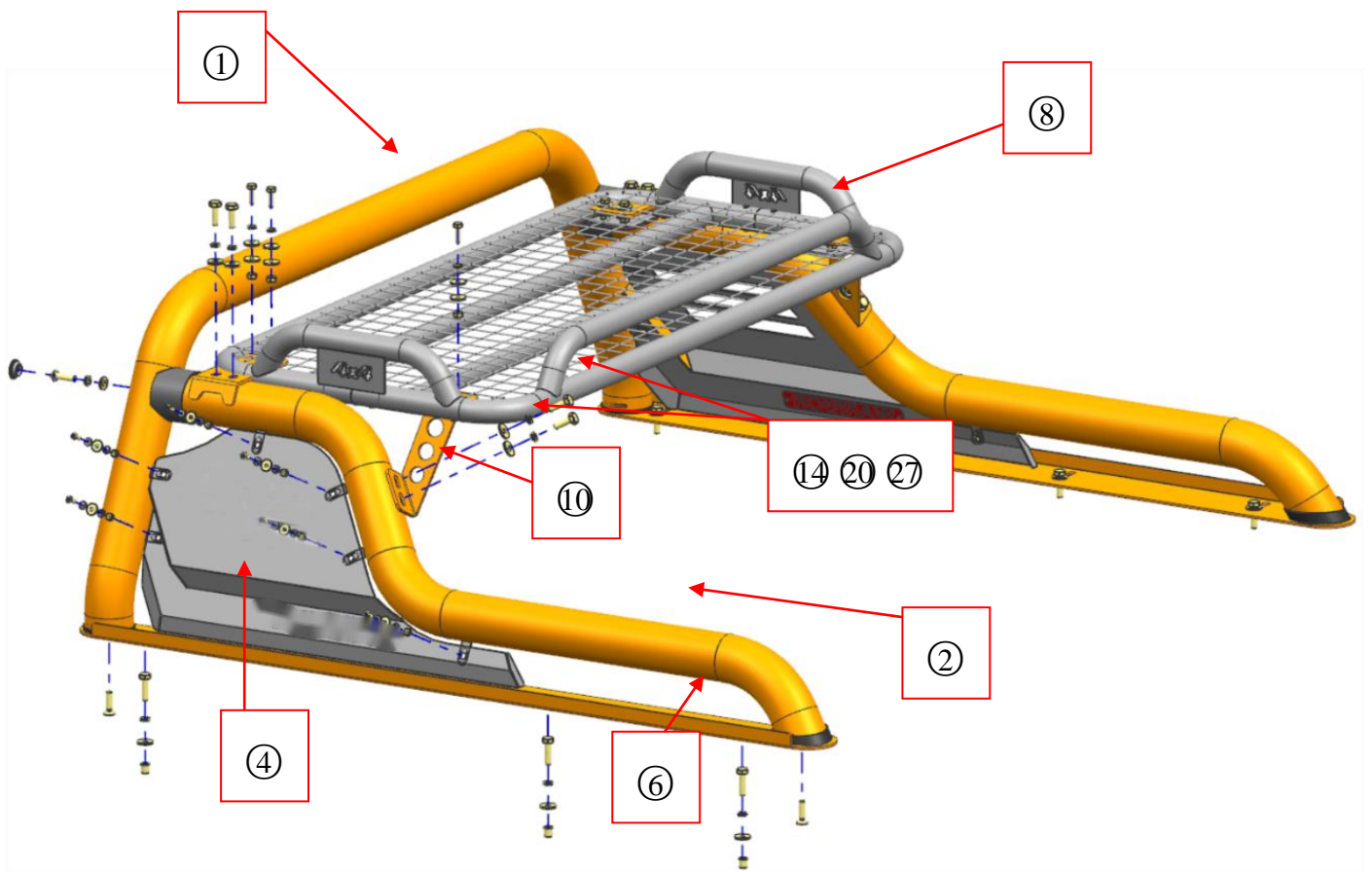
2. Basic accessories two, PART LIST

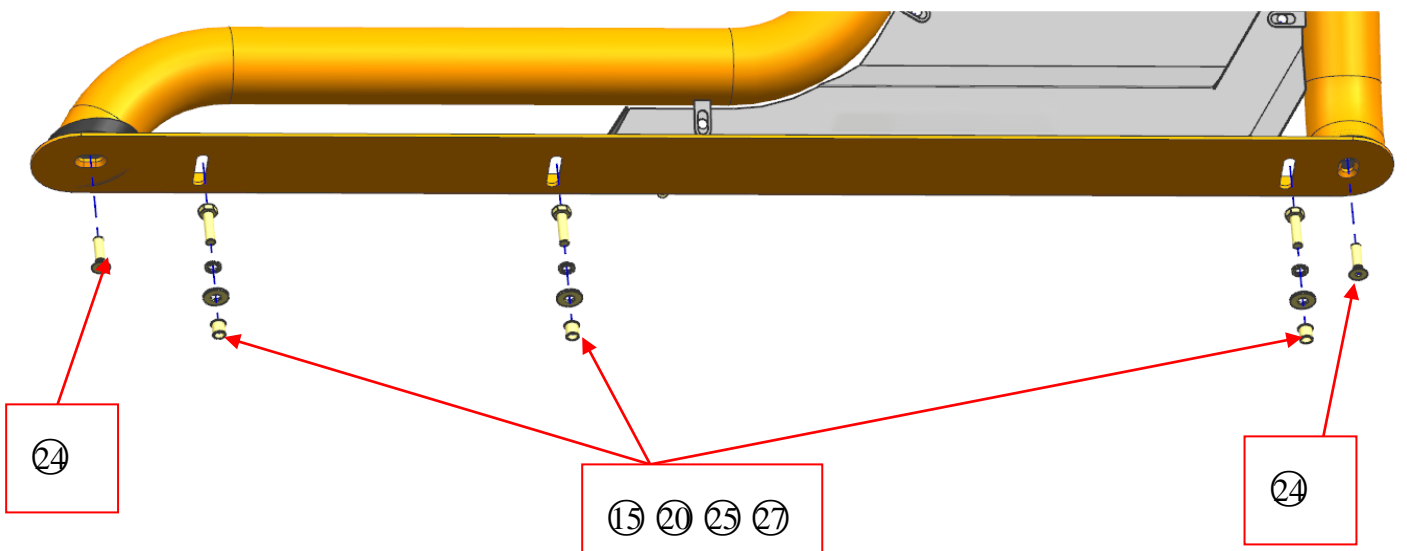
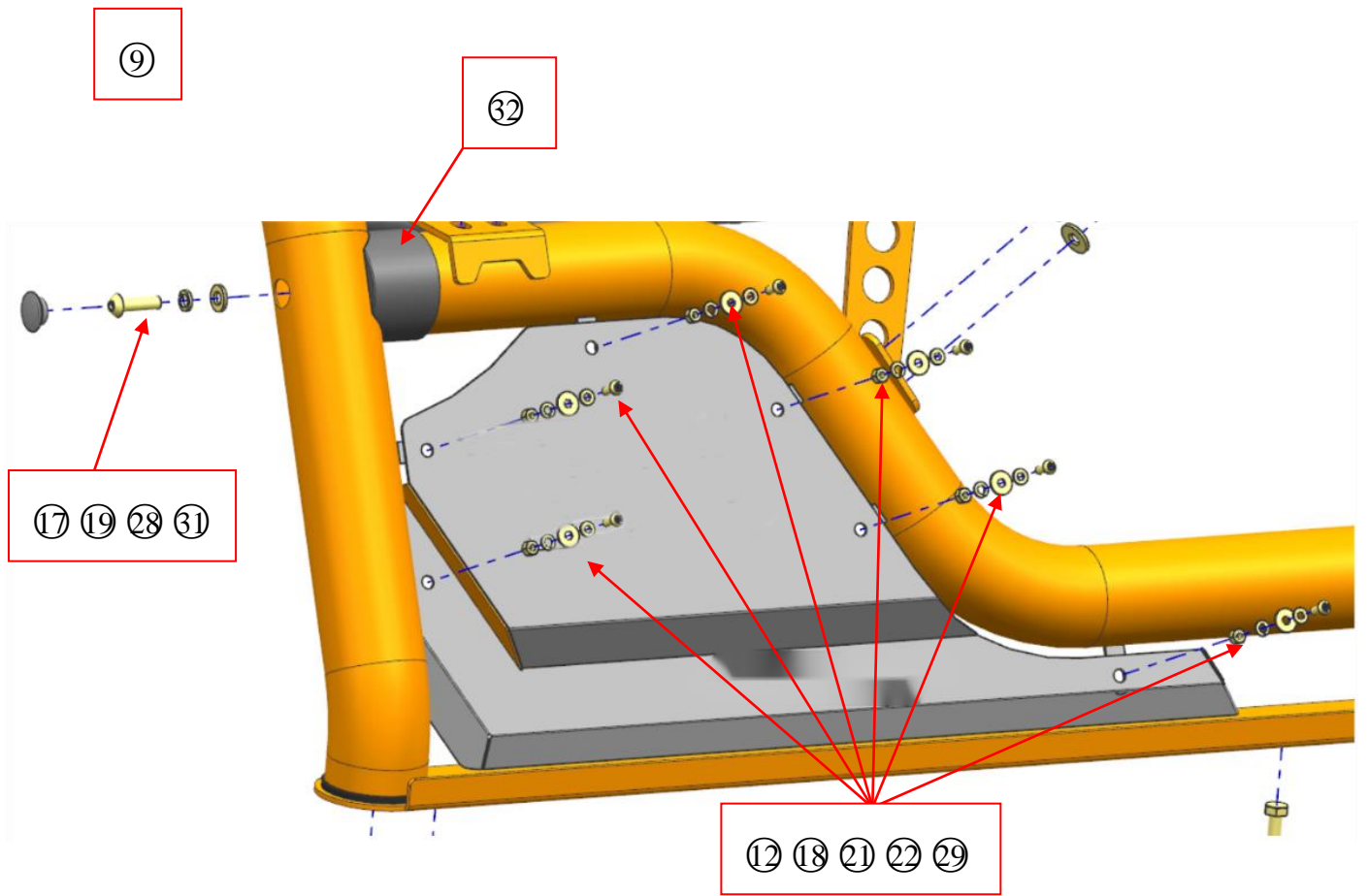
NO.	Description	QTY	SIZE	NO.	Description	QTY	SIZE
①	The former supervisor installs	1		⑰	Inner hexagonal flat round head bolt	2	M10*35
②	Rear main mounting body (left)	1		⑱	Inner hexagonal flat round head bolt	14	M6*20
③	Rear main mounting body (right)	1		⑲	flat washer	2	δ 2.0 φ 10x20
④	Installation body of decorative parts (left)	1		⑳	flat washer	14	φ 10*25*2.5
⑤	Installation body of decorative parts (right)	1		㉑	flat washer	12	φ 6*12*1.6
⑥	Bottom plate (left)	1		㉒	flat washer	14	δ 2.0 φ 6x18
⑦	Bottom plate (right)	2		㉓	flat washer	12	φ 8*25*2.5

⑧	Luggage box installation	1		②4	Flat head head angle bolt	4	M10*35
⑨	Bags box support piece 1	2		②5	Flat head riveting nut	6	M10-ML10
⑩	Bage age support 2 (left)	1		②6	Mat board nut	6	M10
⑪	Bel support 2 (right)	1		②7	lock washer	14	φ 10 (Black zinc)
⑫	Hexagon head nut	14	M6	②8	lock washer	2	φ 10 (blue and white zinc)
⑬	hex nut	6	M8	②9	lock washer	14	φ 6
⑭	hexagon headed bolt	8	M10*30	③0	lock washer	6	φ 8
⑮	hexagon headed bolt	6	M10*35	③1	rubber plug	2	φ 22 Rubber
⑯	hexagon headed bolt	6	M8*25	③2	Rubber cover	2	φ 76 PA6

REMARK: The same installation for bracket.

3. Installation schematic diagram: INSTALLATION MAP





4. Installation step INSTALLATION PROCEDURE:

Step 1: Refer to the accessories list and the drawings to check whether the accessories are complete.

Step 1: Refer to the parts list and parts diagram and check accessories are complete or not.

Step 2: Install the left bracket and the right bracket respectively with reference to the bottom hole position map of the vehicle.

Step 2: For the quickly of installation, according with bracket installation map distinguishes left and right, then tight the bracket is finished.

Step 3: Install the bar body on the bracket and then adjust the installation position of the bracket according to the position of the bar body.

Step 3: Remove the Mud from bottom, fixing the bracket on the bottom.

Step 4: Check whether each standard parts are aligned, and then tighten the standard parts

Step 4: Double check the accessories are complete and tighten.

5. Disclaimer: Related problems and losses caused by improper installation and use are not within the warranty scope of our company.

Disclaimer: Caused due to improper installation initiates some related problem and losses, are beyond our company's quality assurance.