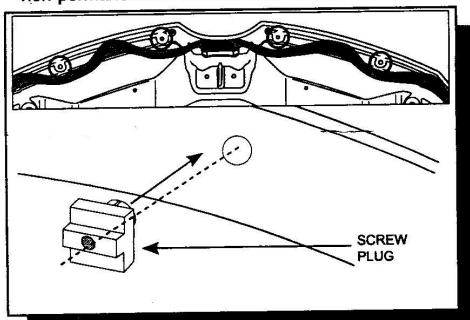
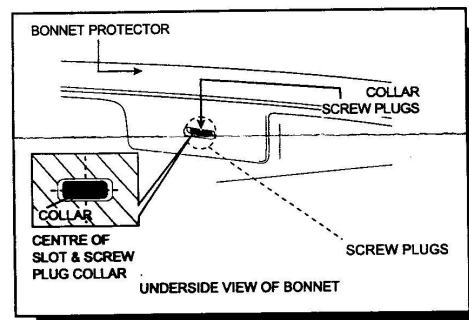


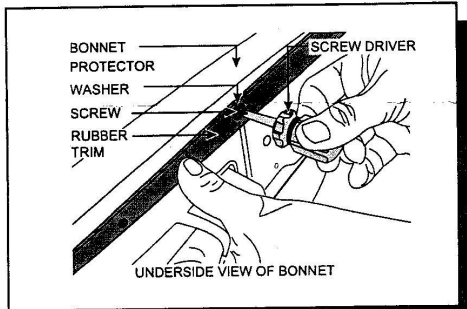
1. Open & clean the bonnet. Trial fit the Bonnet Protector centrally onto bonnet. Note the rubber seal on the underside of the bonnet. Note the slots in the underside of the Bonnet Protector tags that correspond to the plugs in the rubber seal. Also note the wing clip slot positions with bonnet lip, and mark the centre location of these slots on the bonnet with a pencil or non-permanent marker. Remove Bonnet Protector.



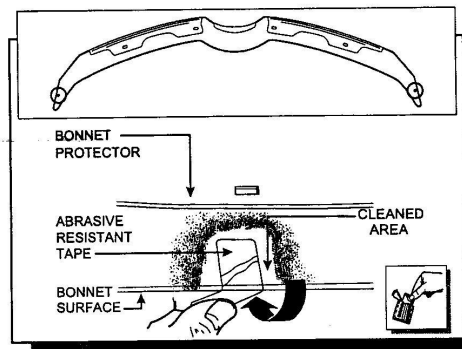
2. Remove the corresponding plugs from the rubber seal, then install the screw plugs into the vacant holes, as shown. Retain rubber seal plugs for possible future use.



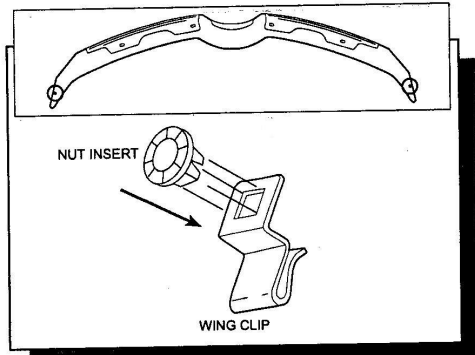
3. Centrally re-fit the Bonnet Protector, locating the Bonnet Protector tags between the rubber seal and the bonnet. Fit the Bonnet Protector tag slot over the collar of the screw plug.
Important: Ensure the slot is centrally located over the screw plug collar.



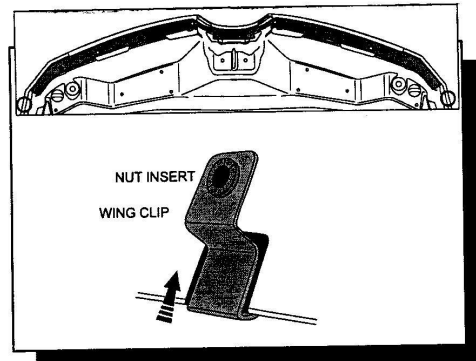
4. Insert the self-tapping screw and large washers into vacant holes in the rubber seal. Position the rubber seal over the Bonnet Protector tags. Maintain thumb pressure against the underside of the Bonnet Protector and rubber seal, then insert the screw into the screw plug. Ensure the Bonnet Protector is centralised on bonnet then tighten screws.
IMPORTANT: Thumb pressure must be maintained to prevent the screw plug from rotating. DO NOT OVERTIGHTEN SCREWS.



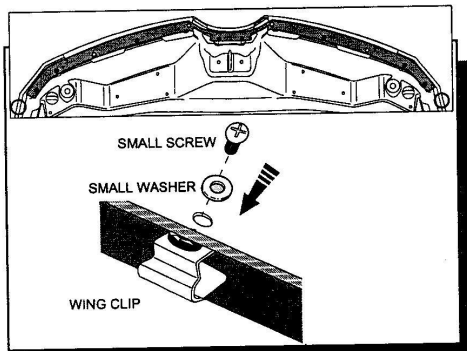
5. Clean the noted areas under the wing clip locations with alcohol wipe provided. (see step 1) Wipe off any residue with a dry clean cloth. Adhere the abrasive resistant tape strips over the bonnet lip. Apply tape so approximately half of each strip is adhered to the topside and half is adhered to the underside of bonnet.



6. Position the nut insert into wing clips.



7. Slide wing clips over bonnet edge at the two previously noted outer positions.
IMPORTANT: Ensure the clips rest over the abrasive resistant tape and do not come in contact with bonnet paint work. Failure to do this may result in permanent paint damage.



8. Secure Bonnet Protector to wing clips with the small screws and small washers provided.
TO REMOVE: Reverse the above procedure.



Do not slam bonnet.



Do not use abrasive cleaners.



Clean Bonnet Protector with a mild detergent and water solution.