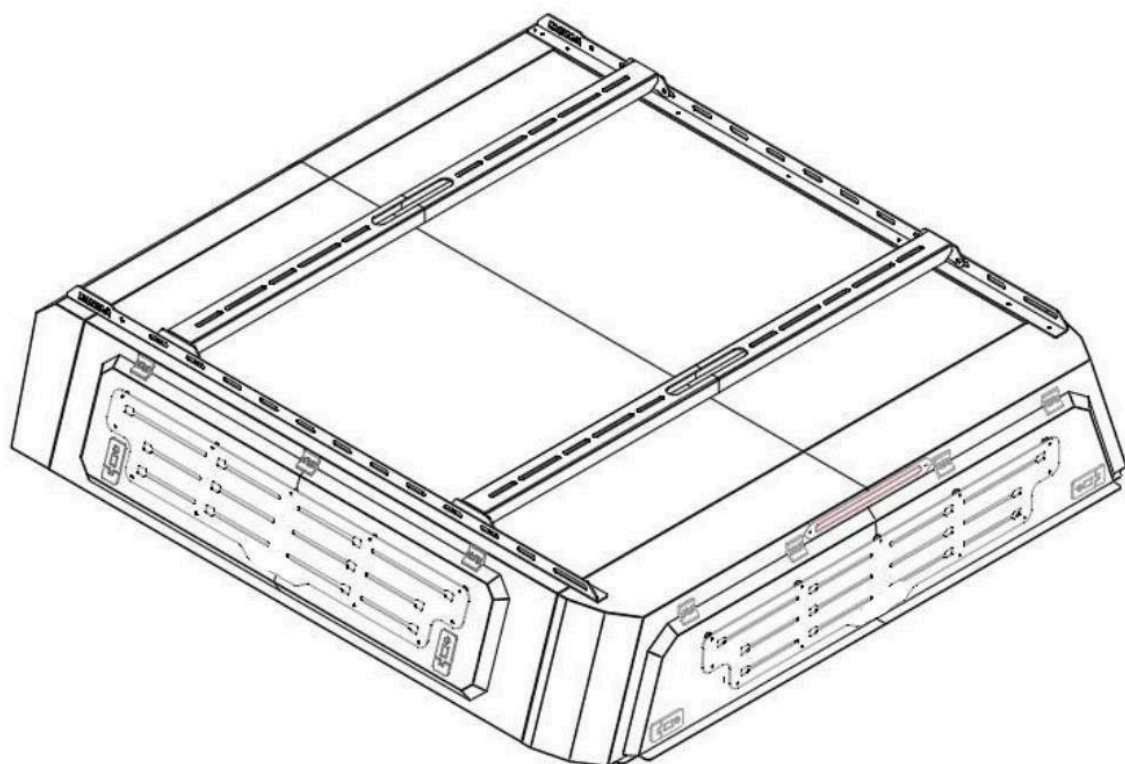
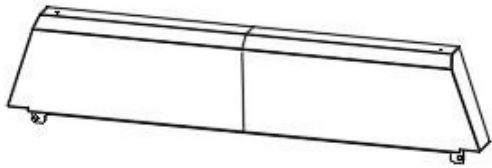


# Short Canopy Installation Instructions

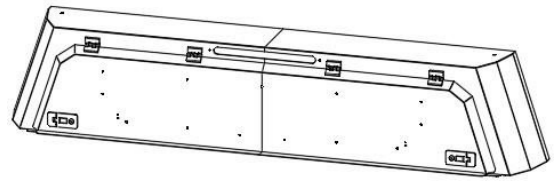


Please read the instructions carefully to avoid damage to the parts or the vehicle.

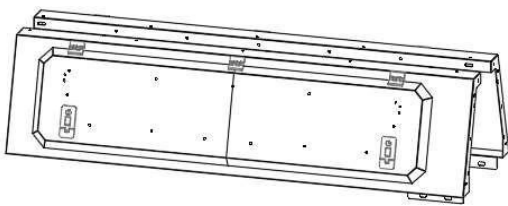
Parts:



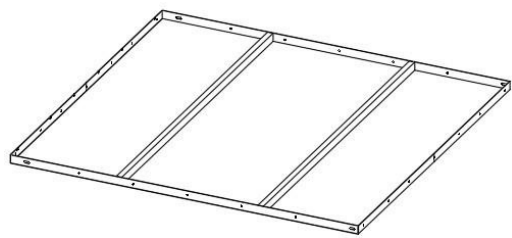
Front Panel



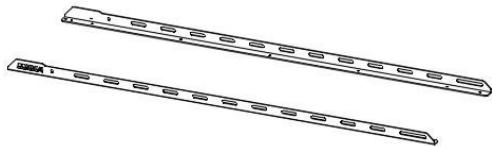
Rear Panel



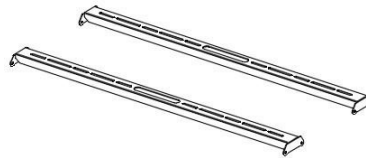
Left and Right Windows



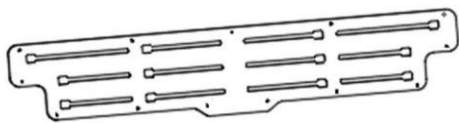
Roof Panel



Roof Rails x 2



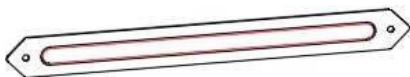
Crossbars x 2



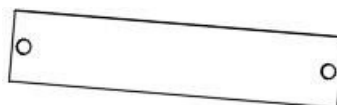
Mounting Plate Panels x 3



Nylon nuts x 39

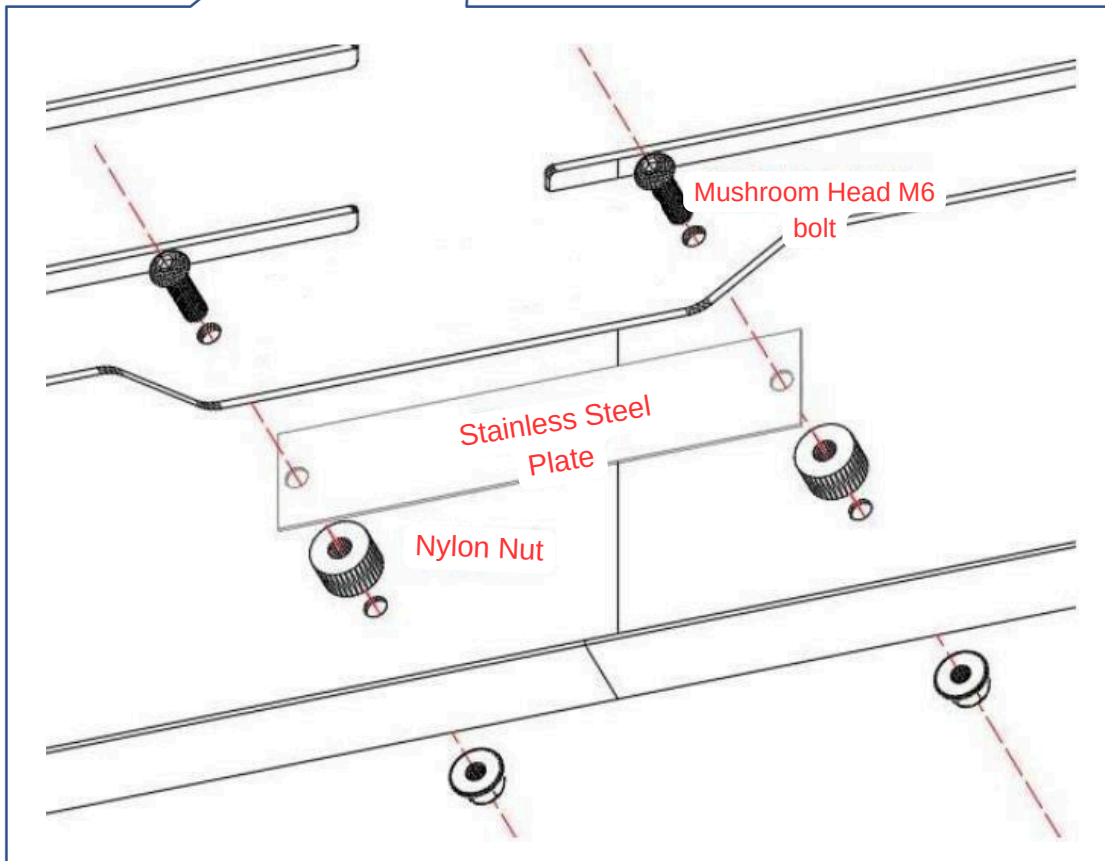
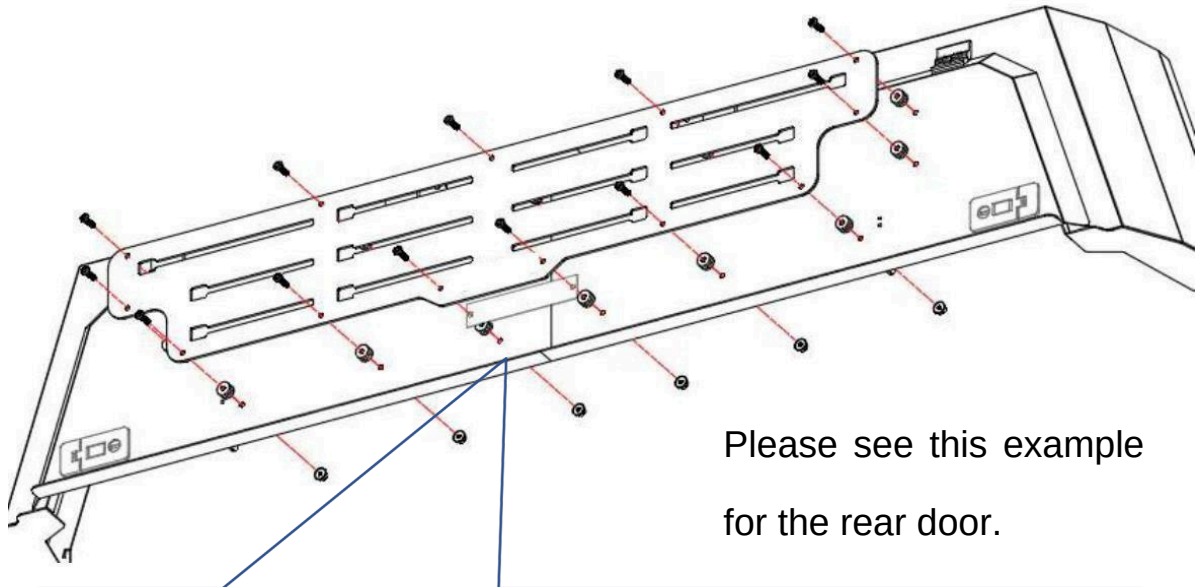


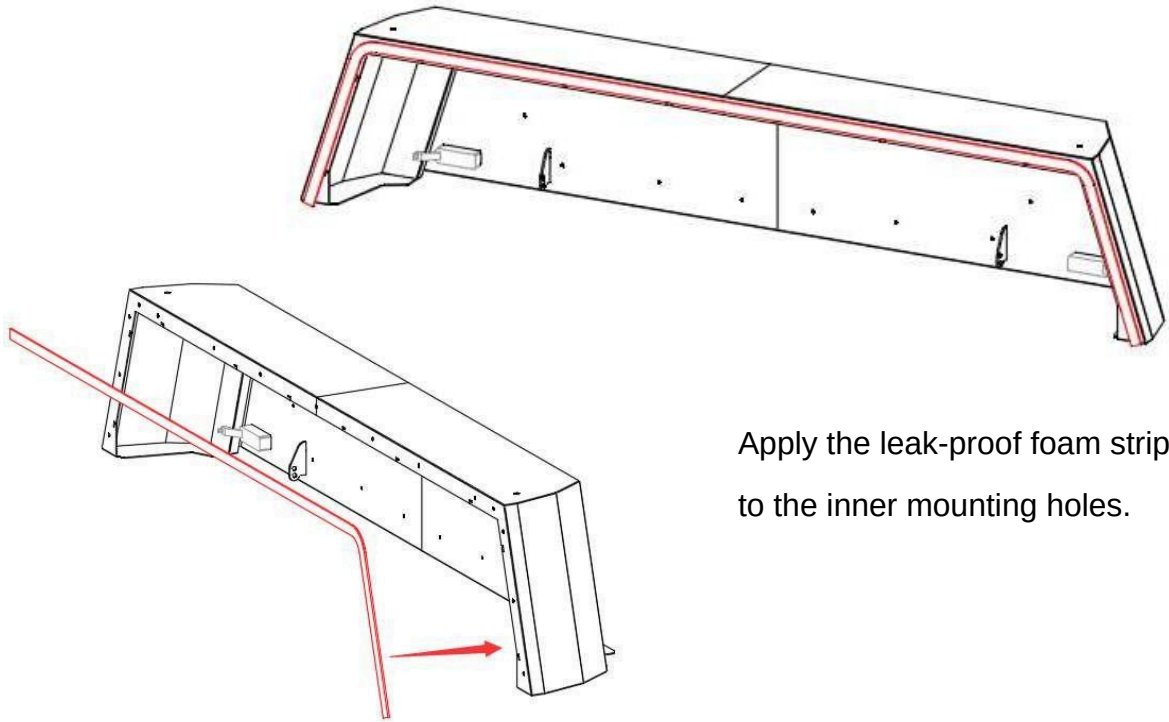
LED Brake Light



Stainless Steel Plates x 3

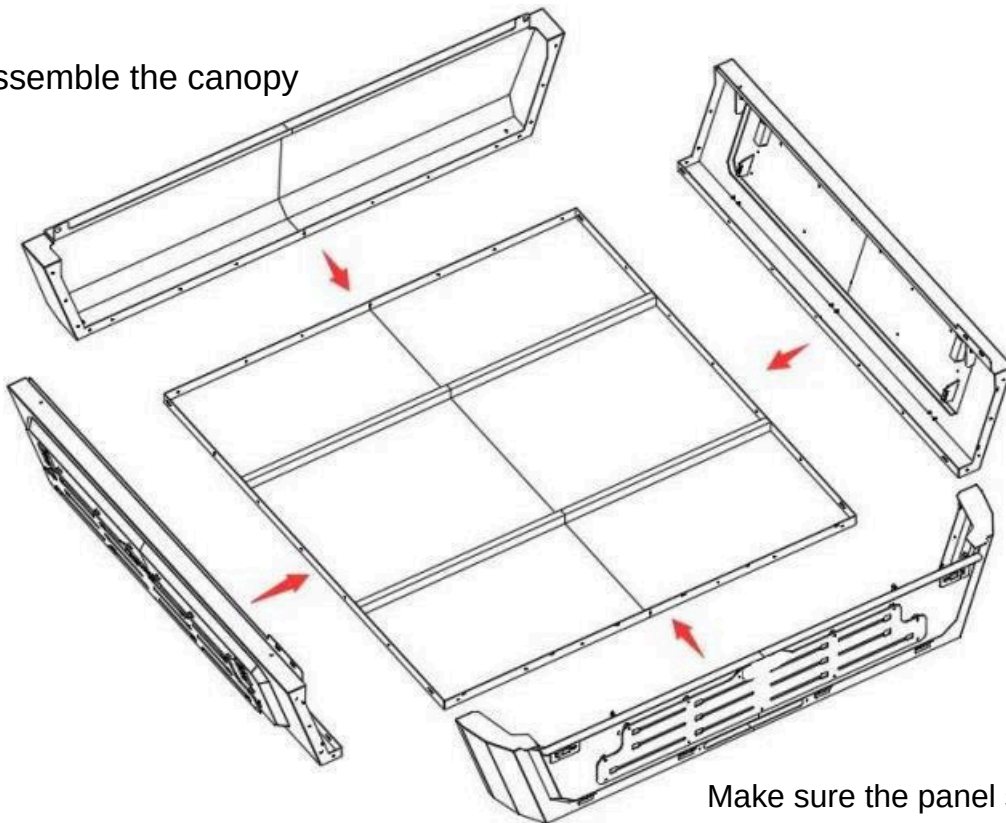
First, install the mounting plates on the left, right and rear panels.



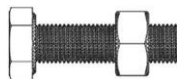


Apply the leak-proof foam strip to the inner mounting holes.

Assemble the canopy

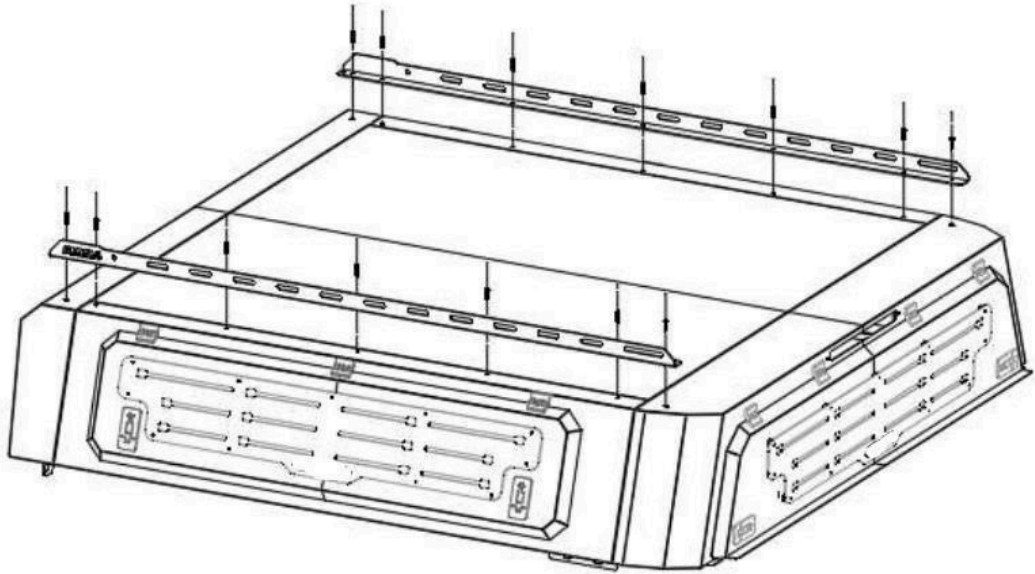


Make sure the panel screw holes are properly aligned.



Secure the panels with 16 x M6 bolts and nuts, tightening them together.

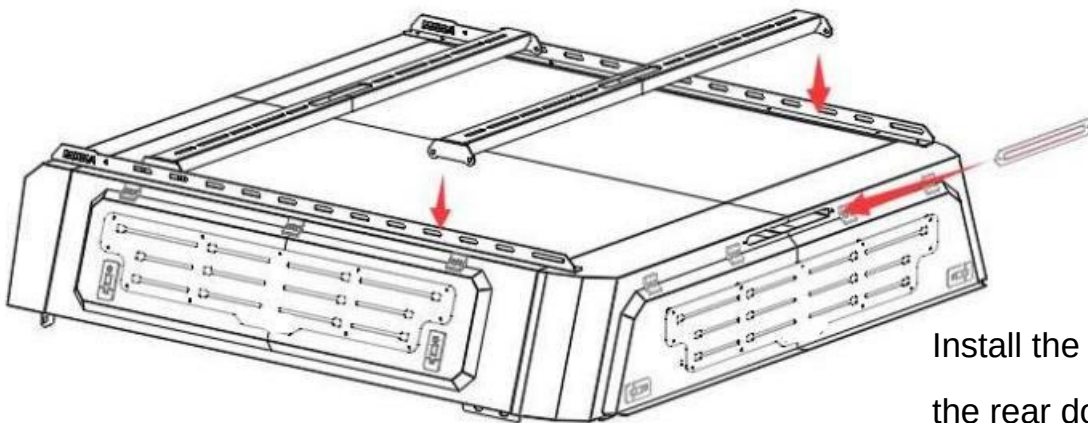
Install the roof rails on top



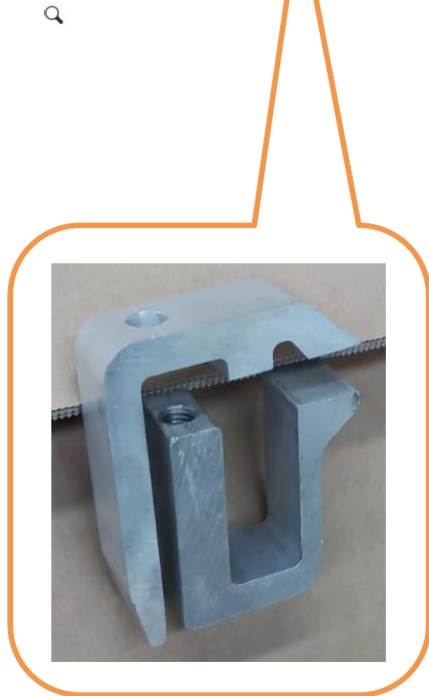
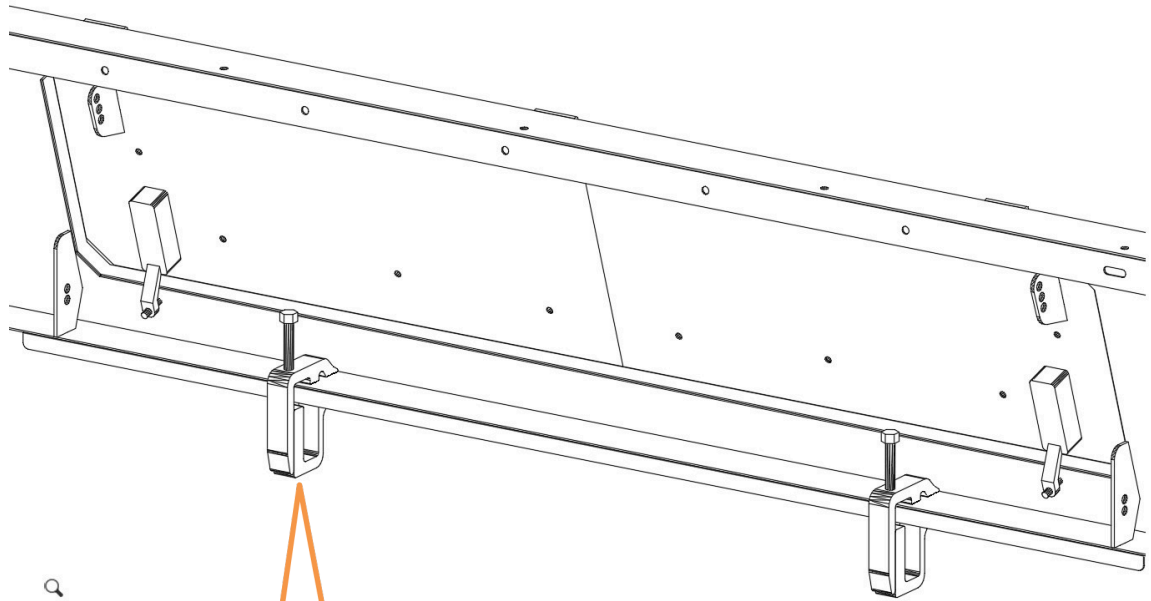
Once assembled, apply silicone to the gaps.



Install the crossbar in the appropriate position.



Install the taillight above the rear door.



After placing the canopy on the vehicle, use clamps to secure the sides of the canopy to the truck bed at the appropriate positions.