

INSTALLATION INSTRUCTION

ITEM NO.:W4-DMAX12-NBAR1

DESCRIPTION: NUDGE BAR FOR D-MAX 12-13

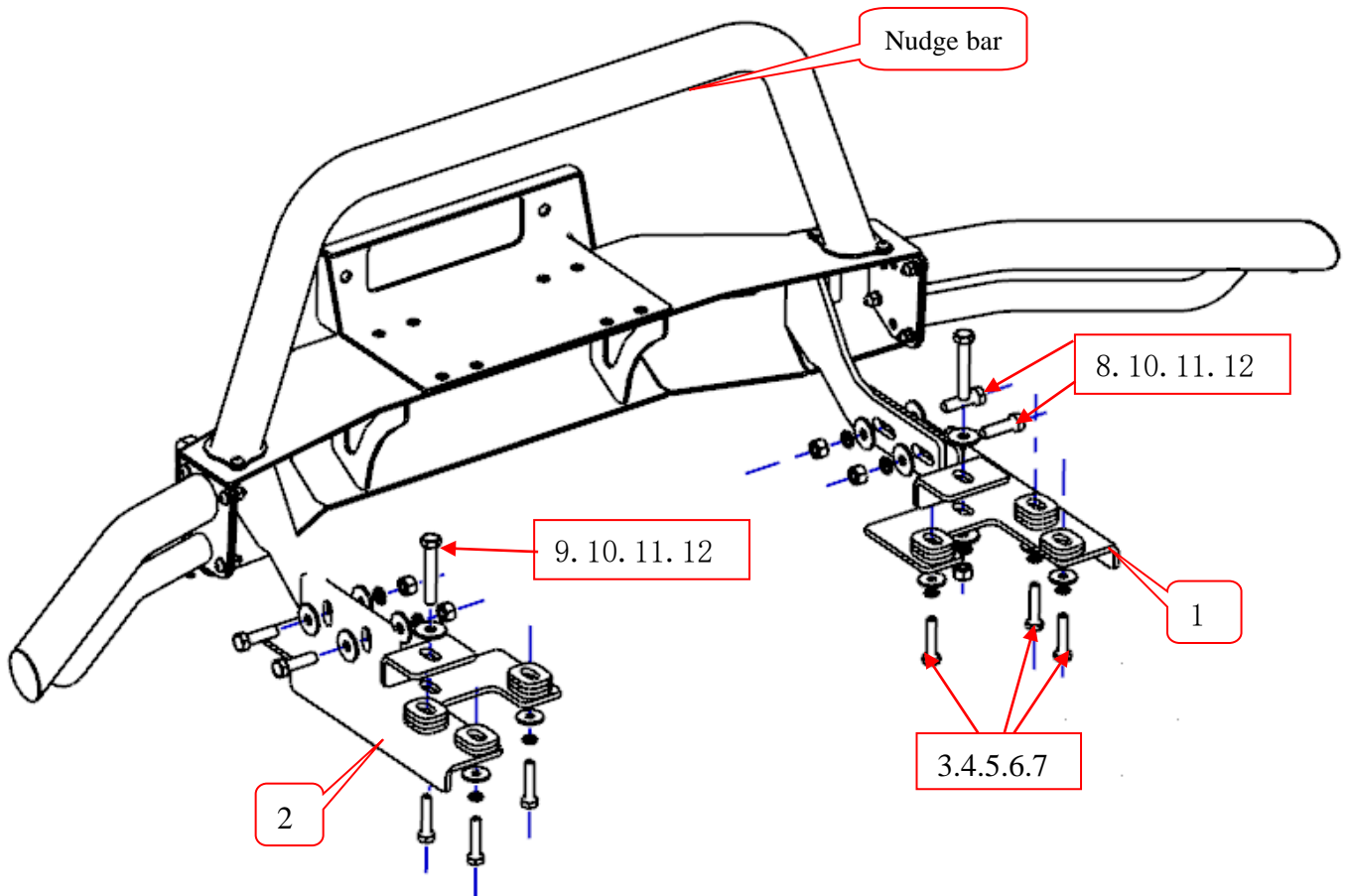
ATTENTION:

- Please read this installation menu before installing this part. Protect your car properly in case there is any scratch might have.
- You may need to periodically to re-tighten all hardware for safety use after installation.
- Installation pictures are only for your reference, there might be some differences between pictures and real parts but no affect for your fitting.

PART LIST

NO.	NAME	QTY	REMARK	NO.	NAME	QTY	REMARK
①	Bracket (R)	1		⑦	Large Washer	6	ϕ 10x30x2.5
②	Bracket (L)	1		⑧	Hex Head Bolts	4	M12x40
③	Pad component 1	4		⑨	Hex Head Bolts	2	M12x70x30
④	Pad block	6		⑩	Large Washer	12	ϕ 12x35x3.0
⑤	Hexagon Bolt	6	M10x1.25x45	⑪	Spring Washer	6	ϕ 12
⑥	Spring Washer	6	ϕ 10	⑫	Hexagon Nut	6	M12

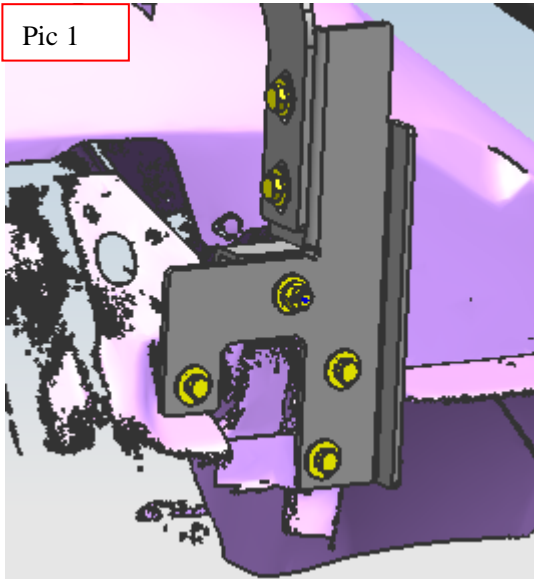
INSTALLATION PICTURES



INSTALLATION PROCEDURE

Step 1: Refer to Part List to check if all hard ware are included.

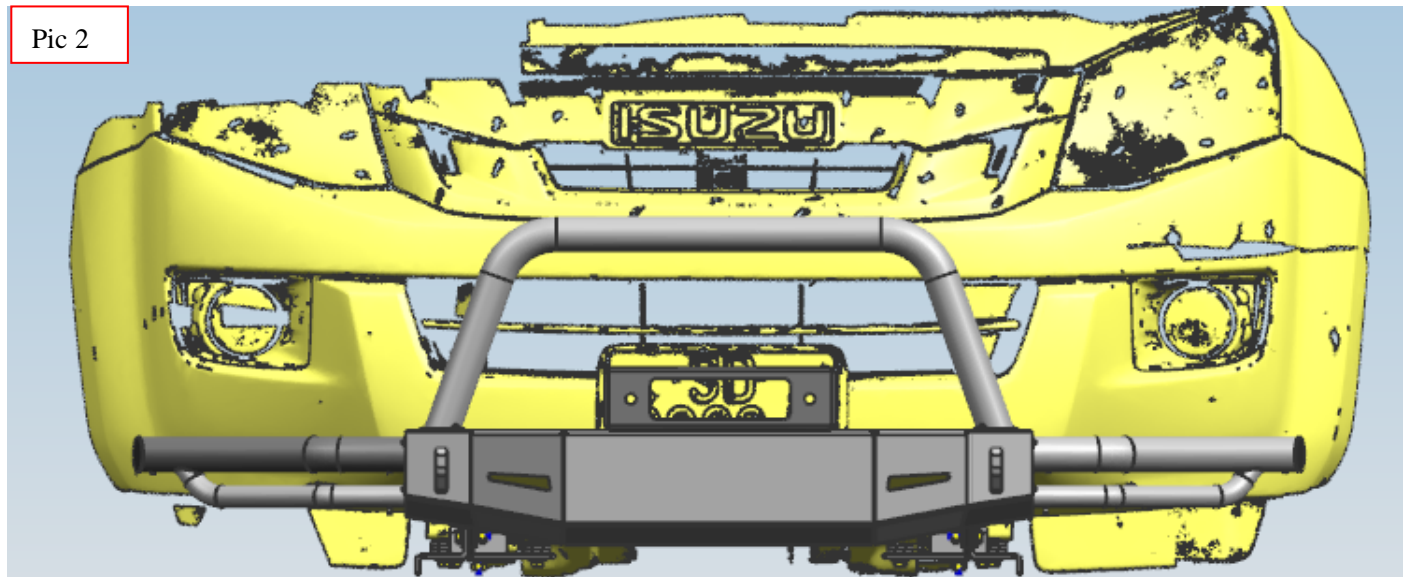
Step 2: Refer to the following pictures to assemble the side panel and brackets on the two main tubes ,as shown in Pic 1.



Step 3: Install the bar body on the bracket and adjust the mounting position of the bracket according to the position of the bar body.

Step 4: The installation is the same on the left and right sides

Step 5: Easy Install refer Pic 2.



Disclaimer: Caused due to improper installation initiates or some related problem and losses, are beyond our company' s quality assurance.