

INSTALLATION INSTRUCTION

ITEM NO.:W4-HIC-NBAR-SS / W4-HIC-NBAR-BL

DESCRIPTION:NUDGE BAR FOR HIACE

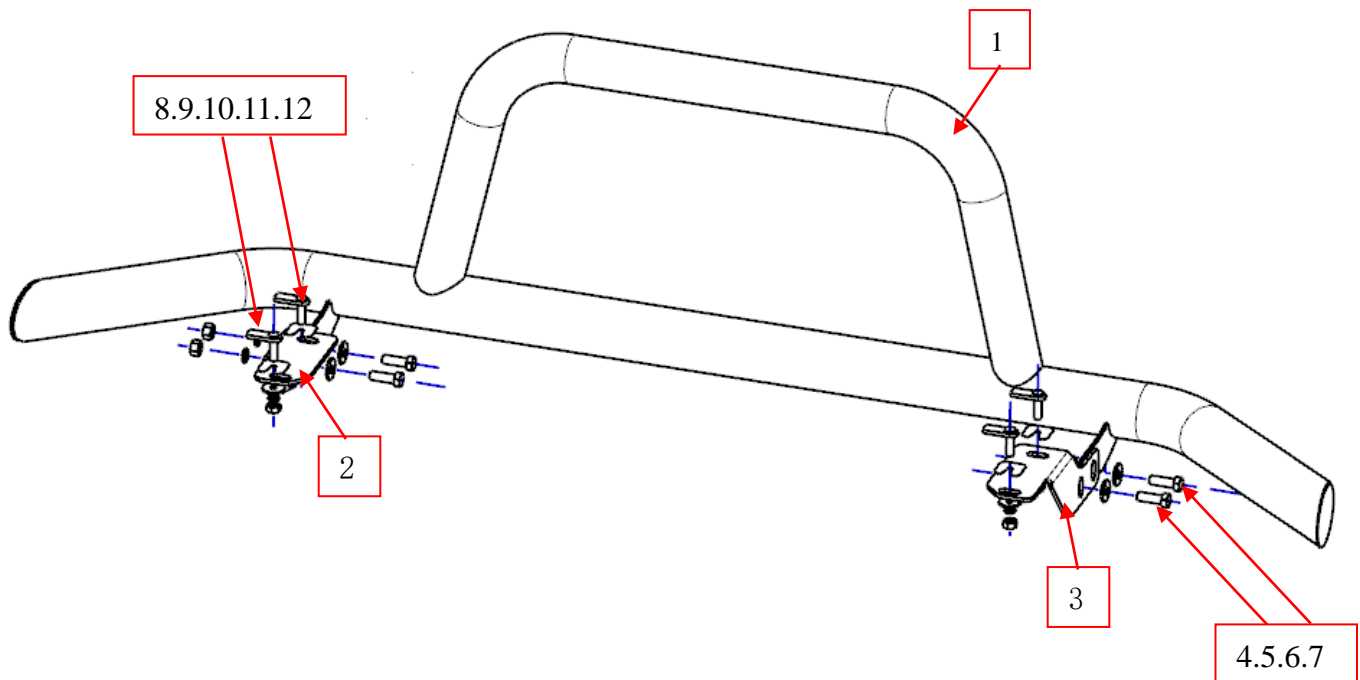
ATTENTION:

- Please read this installation menu before installing this part. Protect your car properly in case there is any scratch might have.
- You may need to periodically to re-tighten all hardware for safety use after installation.
- Installation pictures are only for your reference, there might be some differences between pictures and real parts but no affect for your fitting.

PART LIST

NO.	NAME	QTY	REMARK	NO.	NAME	QTY	REMARK
①	BAR BODY	1		⑦	Hexagon Nut	4	M12
②	BRACKET (L)	1		⑧	T-bolt	4	M10*35
③	BRACKET (R)	1		⑨	PVC Clip	4	Φ10
④	Hexagon Bolt	4	M12x35	⑩	Large Washer	4	φ 10x30x2.5
⑤	Large Washer	8	Φ12*30*3.0	⑪	Spring Washer	4	φ 10
⑥	Spring Washer	4	Φ12	⑫	Hexagon Nut	4	M10

INSTALLATION PICTURES

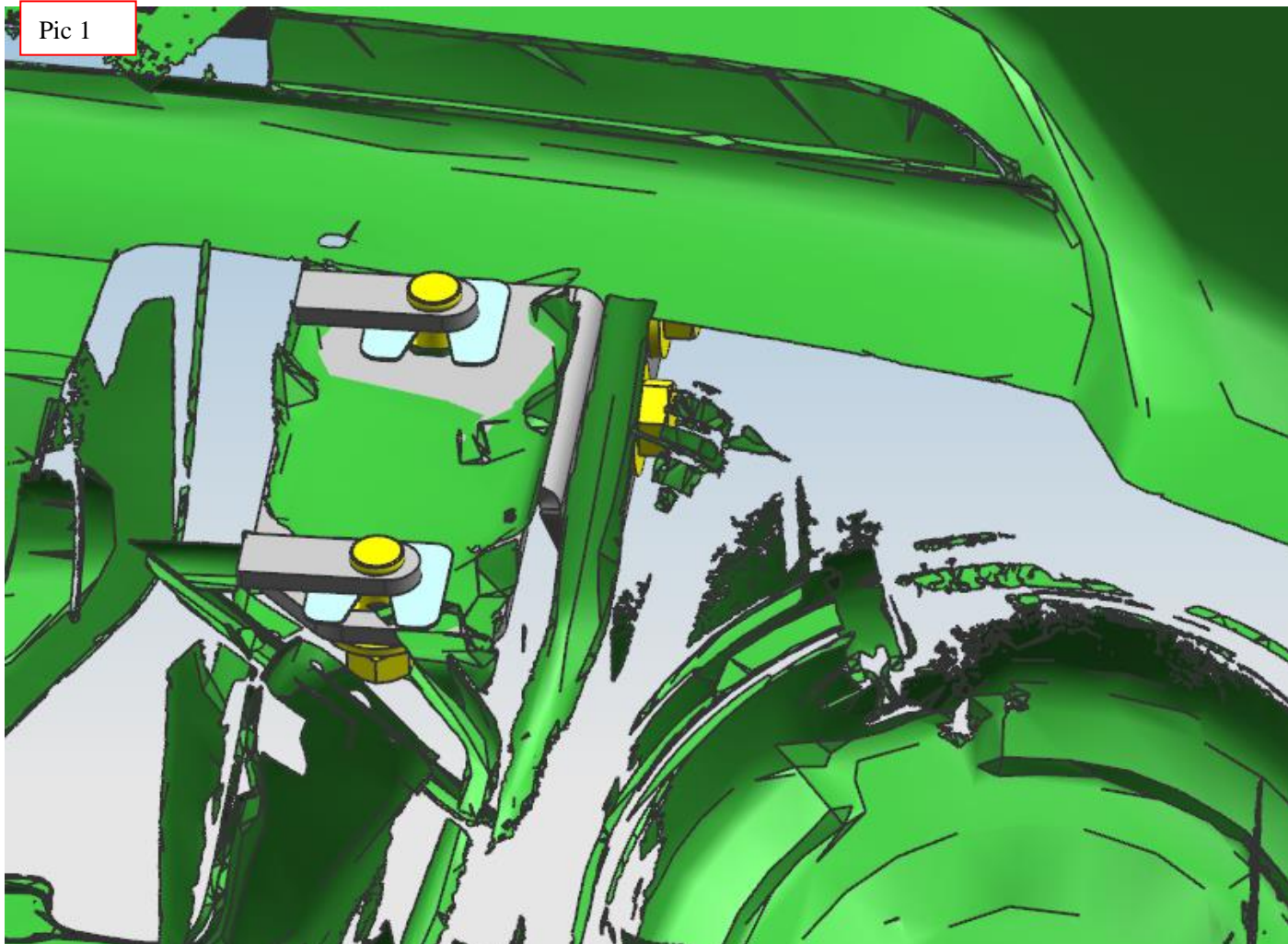


INSTALLATION PROCEDURE

Step 1: Refer to Part List to check if all hard ware are included.

Step 2: Refer to the following pictures to assemble the side panel and brackets on the two main tubes ,as shown in Pic 1.

Pic 1

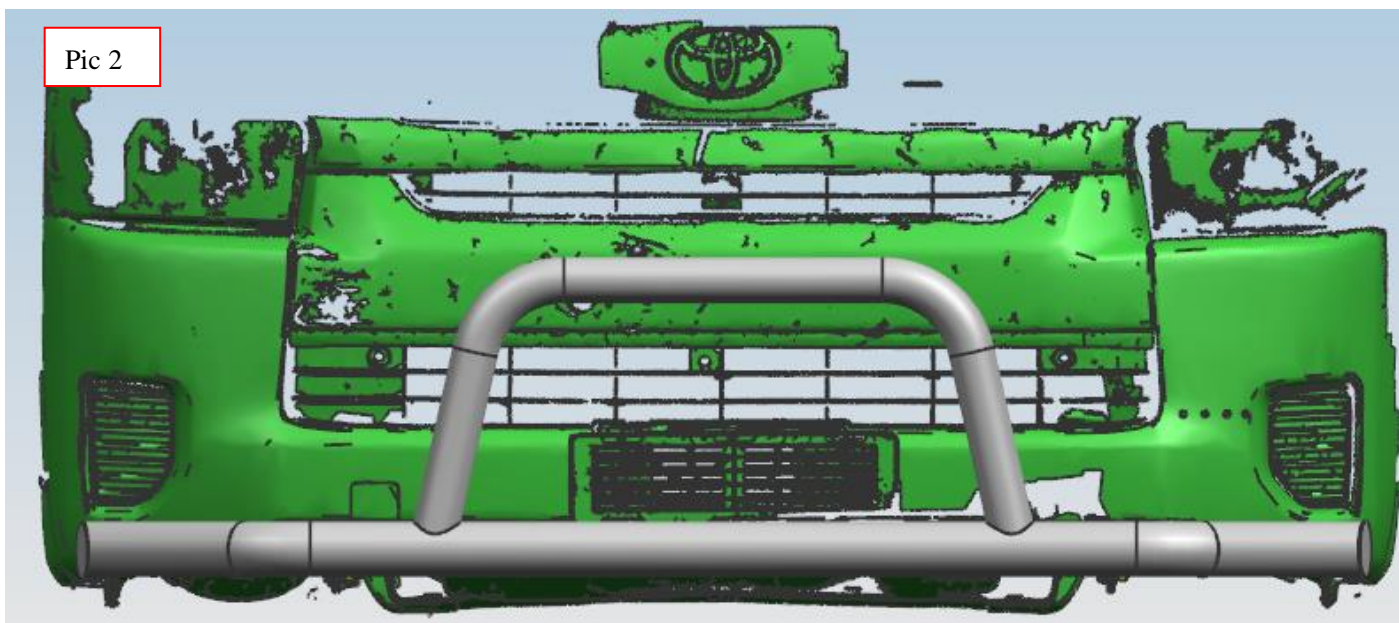


Step 3: Install the bar body on the bracket and adjust the mounting position of the bracket according to the position of the bar body.

Step 4: Check if all hard ware are installed and then fasten all to complete the installation.

Step 5: Easy Install refer Pic 2.

Pic 2



Disclaimer: Caused due to improper installation initiates or some related problem and losses, are beyond our company' s quality assurance.