

INSTALLATION INSTARUCTION

ITEM NO.: W4-HX15-HCH-REC-V2

DESCRIPTION:2" inch Tow bar Hitch Receiver Suits Hilux N80 2015 2016 2017 - 2024 Reciever Trailer Towing

ATTENTION:

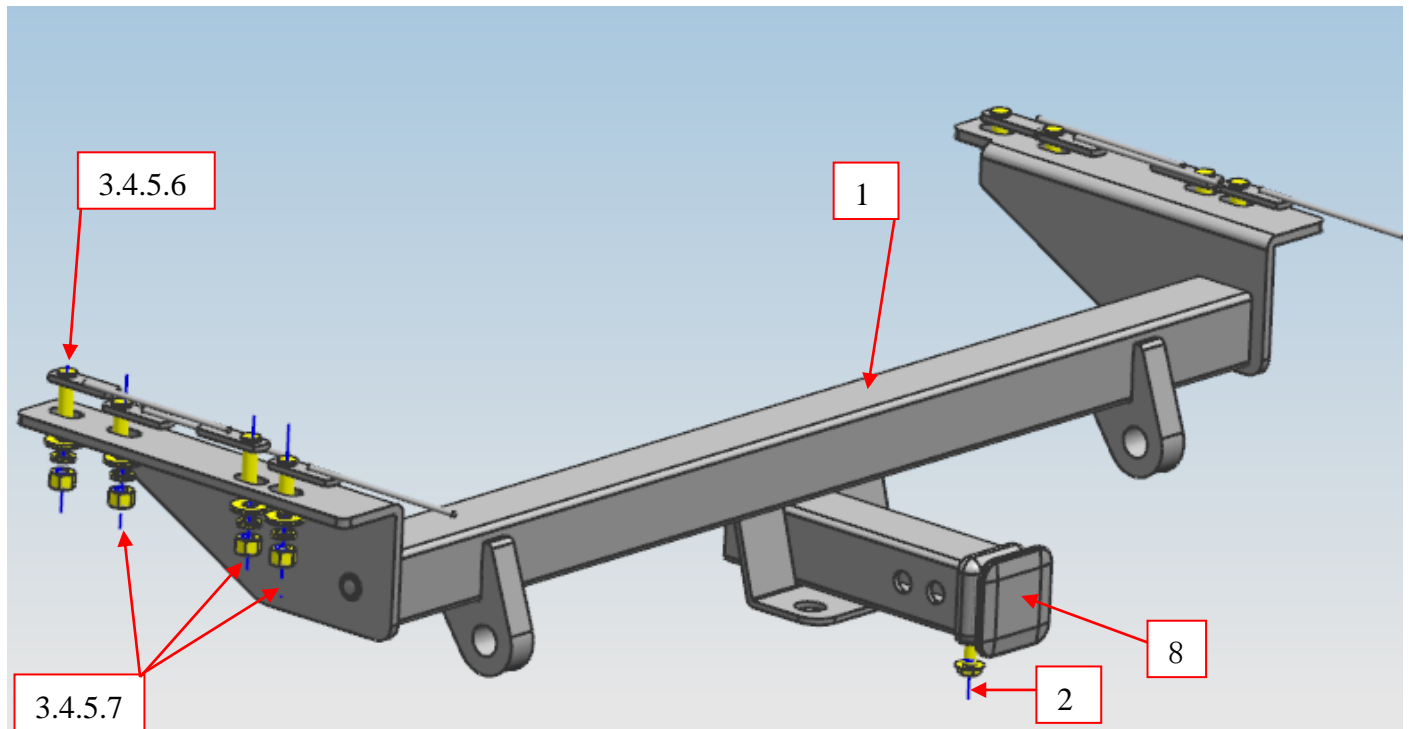
- Please read this installation menu before installing this part. Protect your car properly in case there is any scratch might have.
- You may need to periodically to re-tighten all hardware for safety use after installation.
- Installation pictures are only for your reference,there might be some differences between pictures and real parts , but no affect for your fitting.

Part List

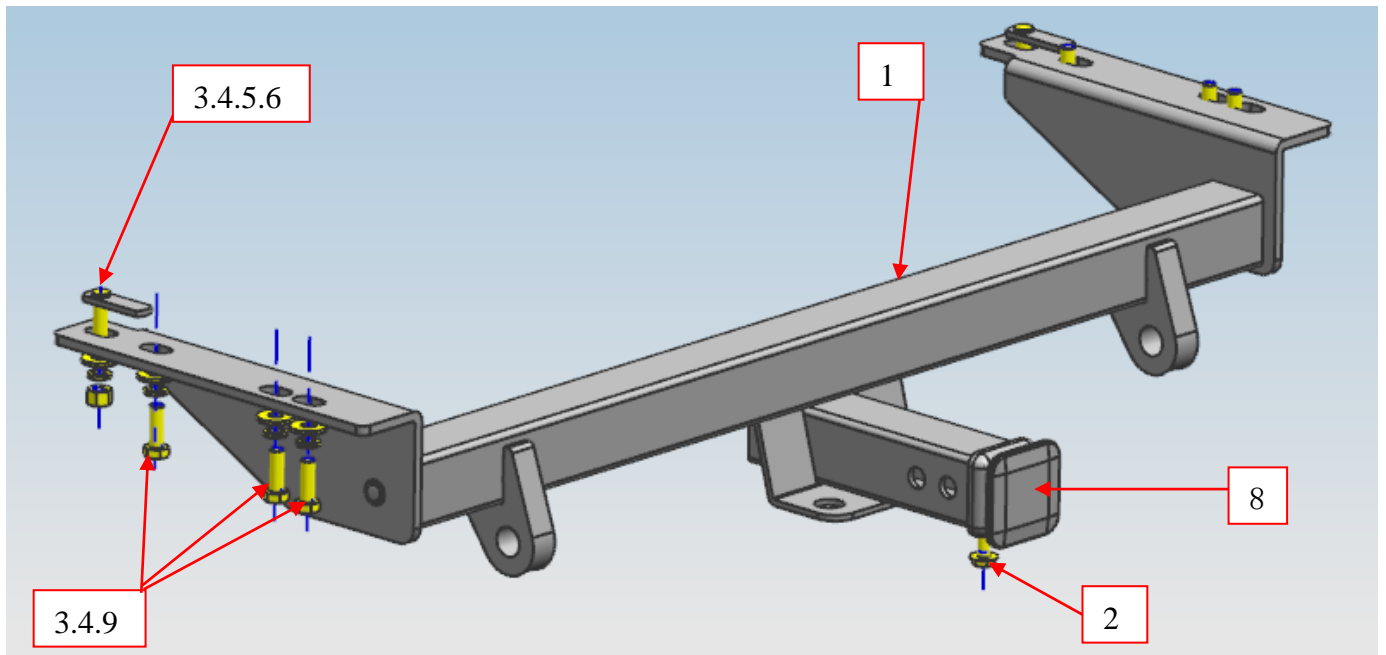
No.	Name	QTY	Remark	No.	Name	QTY	Remark
1	Rear Hitch	1		6	T-Bolt	2	M12
2	Hexagon Flange Bolt	1	M10	7	T-Bolt of Welding Wire	6	M12
3	Large Washer	8	$\phi 12*30*3.0$	8	Plastic Inner Plug	1	M12
4	Spring Washer	8	$\phi 12$	9	Fine Thread Bolt	6	M12
5	Hexagon Nut	8					

INSTALLATION PICTURE

It's the same way to install both side.



(1) INSTALLATION PICTURE FOR VIGO

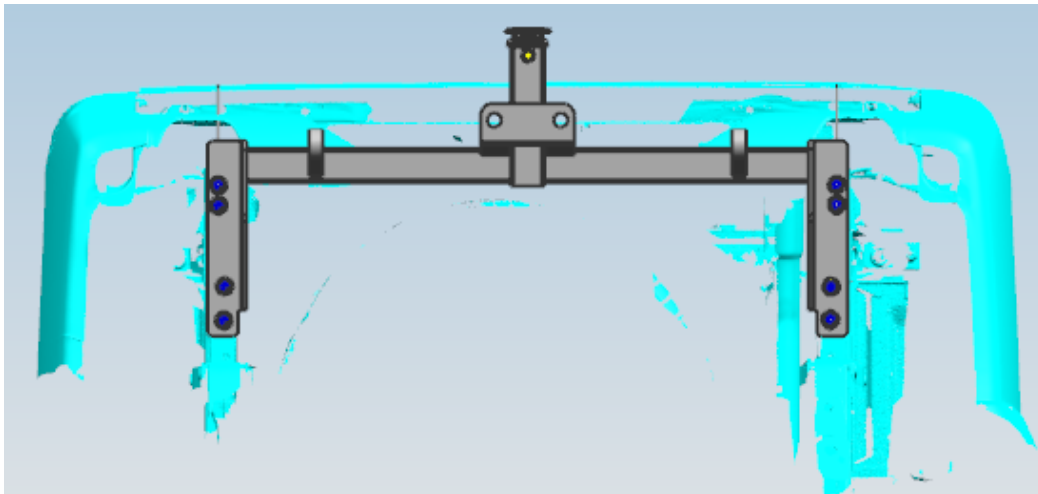


INSTALLATION PICTURE FOR REVO

INSTALLATION PROCEDURE

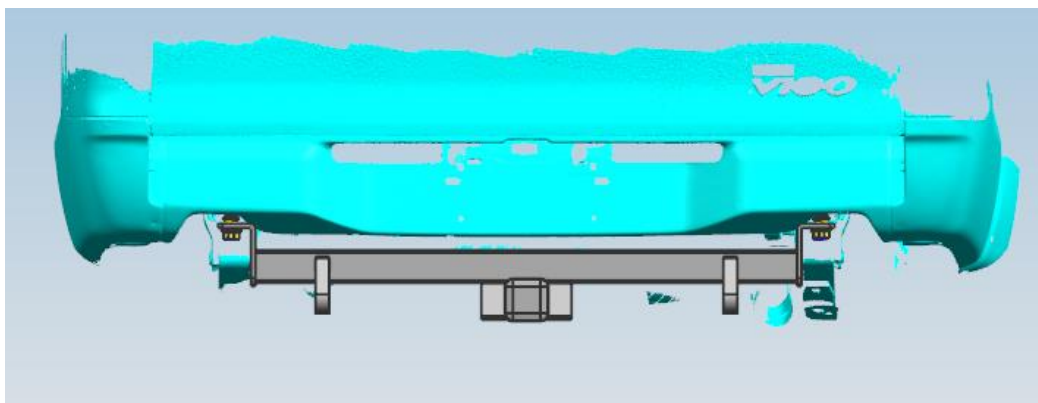
Step 1: refer to part list to check if all hardware are included.

Step 2: Install the bar body on the bottom hole location with reference to the bottom hole location: as shown in the following figure.



Step 3: check if all hardware are included and then fasten all to complete the installation.

Easy install refer Pic :



Disclaimer: caused due to improper installation initiates or some related problem and losses , are beyond our company's quality assurance.