

INSTALLATION INSTRUCTION

ITEM NO.:W4-JT-SBAR-V2

DESCRIPTION:BX ROLL BAR FOR 2021 JEEP GLADIATOR

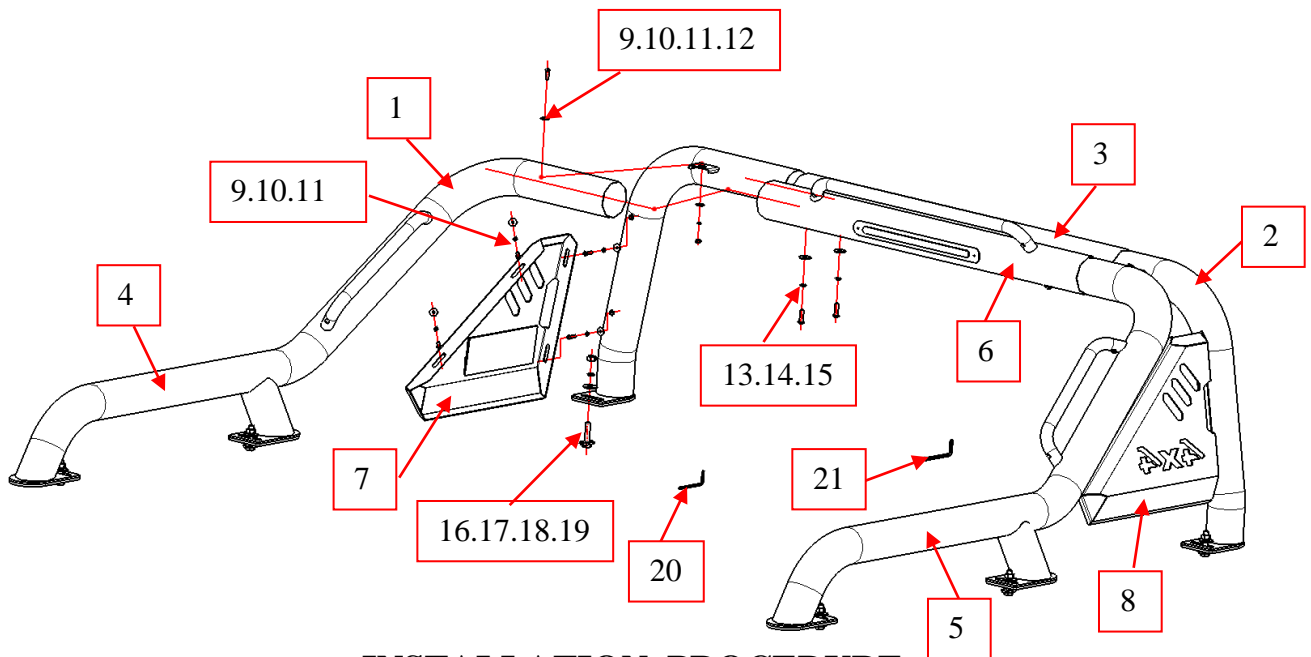
ATTENTION:

- Please read this installation menu before installing this part. Protect your car properly in case there is any scratch might have.
- You may need to periodically to re-tighten all hardware for safety use after installation.
- Installation pictures are only for your reference, there might be some differences between pictures and real parts but no affect for your fitting.

PART LIST:

NO.	NAME	QTY	REMARK	NO.	NAME	QTY	REMARK
1	Front body (L)	1		12	Hexagon Nut	2	M6
2	Front body (R)	1		13	Hexagon socket butt on head screws	4	M8*25
3	Front connecting pipe	1		14	Large Washer	4	Φ8*25*2.0
4	Rear body (L)	1		15	Spring Washer	4	Φ8
5	Rear body (R)	1		16	T-bolt	6	M10
6	Rear connecting pipe	1		17	Large Washer	6	Φ10*30*2.0
7	Side deraction (left)	1		18	Spring Washer	6	Φ10
8	Side deraction (right)	1		19	Hexagon Nut	6	M10
9	Hexagon socket butt on head screws	10	M6*20	20	Socket head wrench	1	
10	Flat Washer	12	Φ6*18.15	21	Socket head wrench	1	
11	Spring Washer	10	Φ6				

INSTALLATION PICTURE



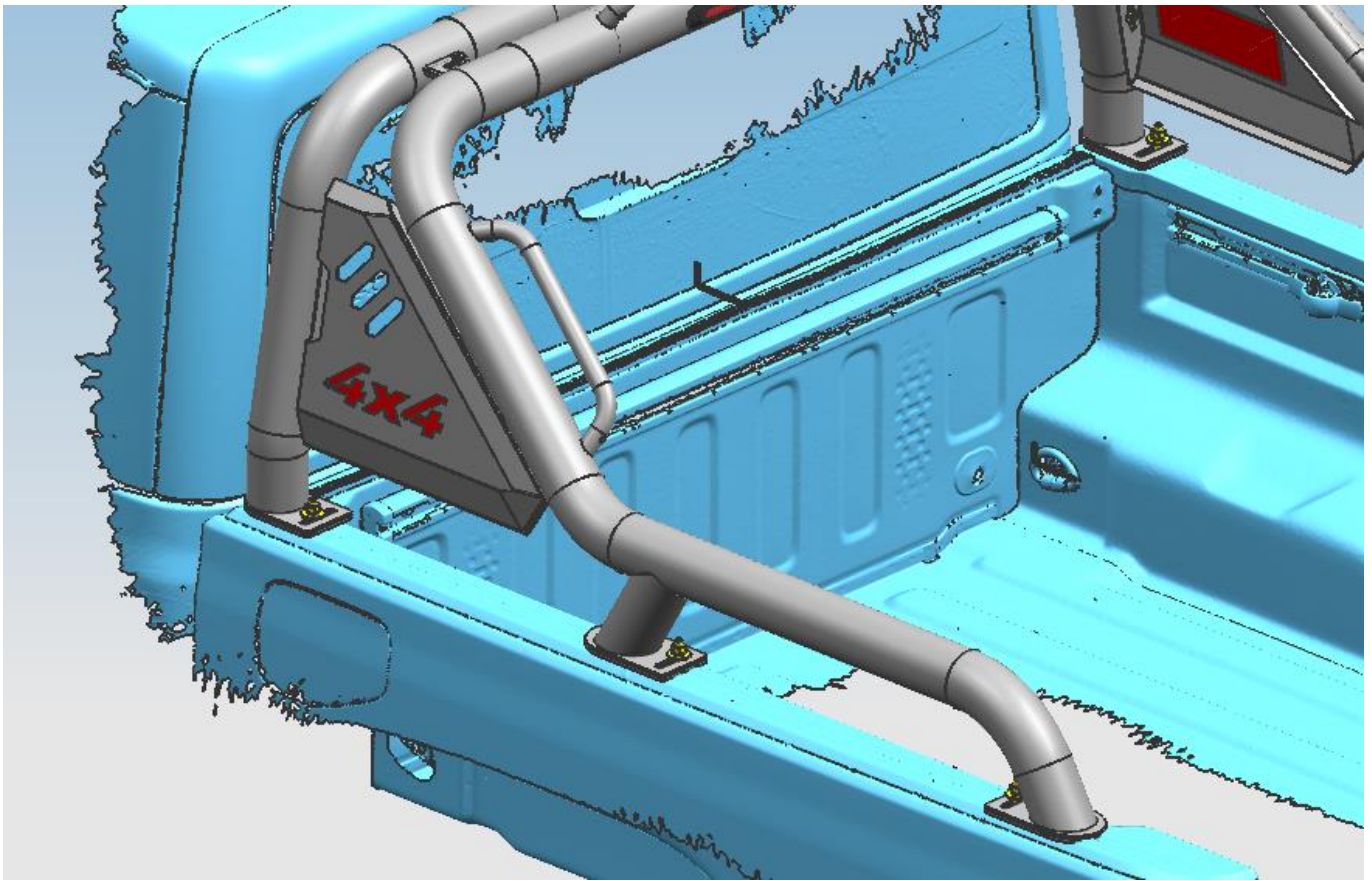
INSTALLATION PROCEDURE

Step 1: Refer to Part List to check if all hard ware are included.

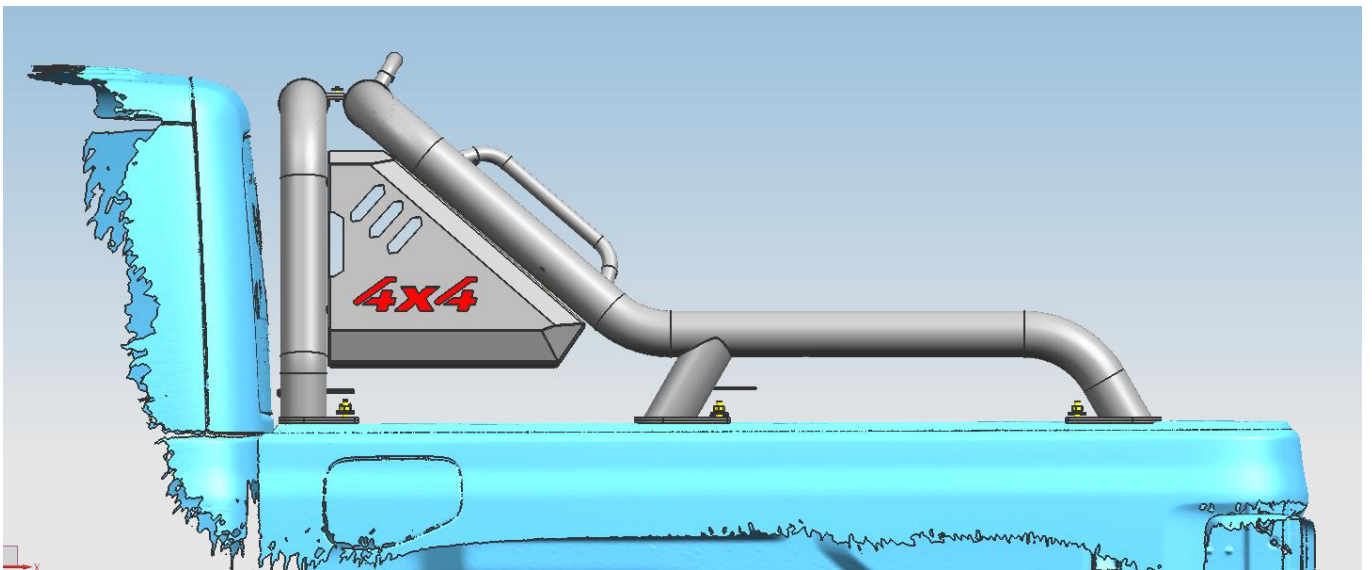
Step 2: As shown in the following figure, lock and install the side deraction (left/right) with the front body (left/right) and rear body (left/right) according to the corresponding standard parts in different figures. Next, install it with the front/rear connecting pipe, tighten it with hexagon socket countersunk screws.

Step 3: Drill holes on the car frame, then use T-bolts to pass through the holes and the bottom plate of the anti rollover frame. Finally, use hexagon Nuts to lock the bottom plate of the roll bar and the car body.

Step 4: Check if all hard ware are installed and then fasten all to complete the installation,as shown in the following figure.



Step 5: The installation effect is shown in the following figure.



Disclaimer: Caused due to improper installation initiates or some related problem and losses, are beyond our company' s quality assurance.