

# INSTALLATION INSTRUCTION

ITEM NO.:W4-TUB-WL-RK

DESCRIPTION:Universal Spare Tyre Carrier Mount Tub Rack Steel Brackets UTE Tire

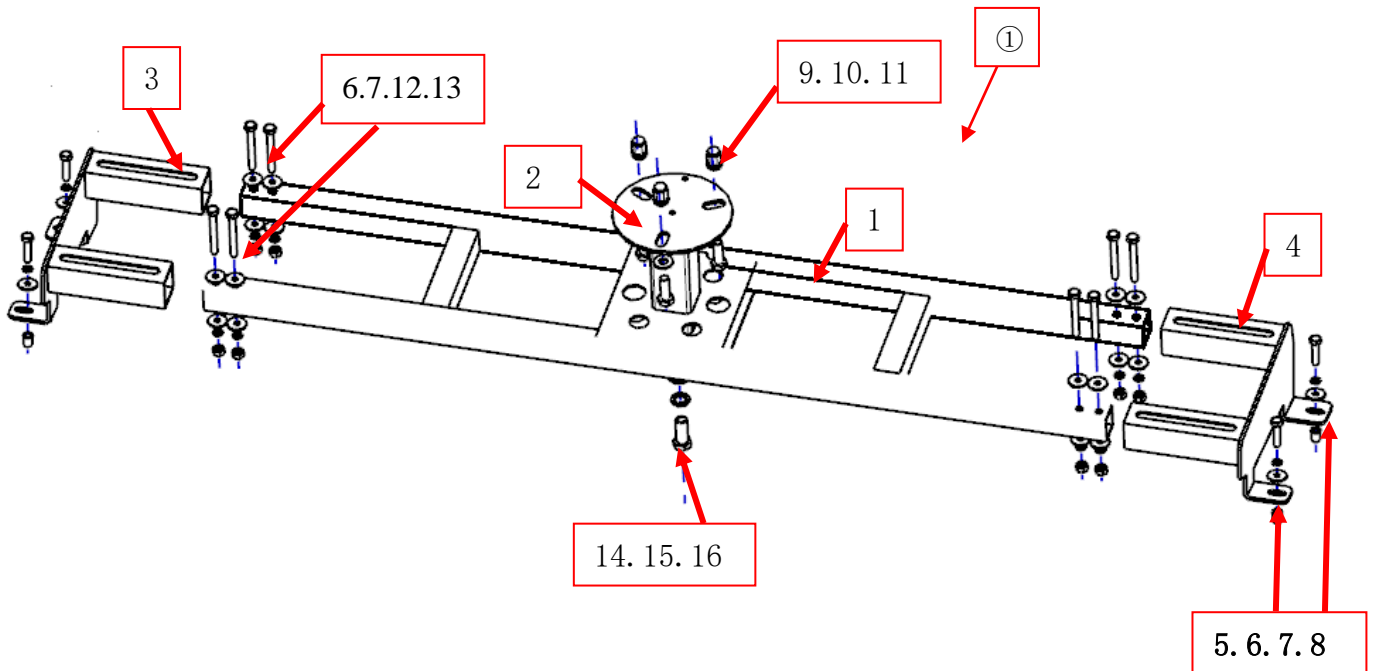
ATTENTION:

- Please read this installation menu before installing this part. Protect your car properly in case there is any scratch might have.
- You may need to periodically to re-tighten all hardware for safety use after installation.
- Installation pictures are only for your reference, there might be some differences between pictures and real parts but no affect for your fitting.

PART LIST:

NO.	NAME	QTY	REMARK	NO.	NAME	QTY	REMARK
1	TIRE HOLDER BODY	1		9	Hex Head Bolts	3	M14*1.5*40细牙
2	Tire fixing part	1		10	Flat Washer	3	Φ14*27*2.5
3	Connecting bracket (L)	1		11	Hub nut	3	M14
4	Connecting bracket (R)	1		12	Hex Head Bolts	8	M10*80*30
5	Flat head rivet nut	4	M10	13	Hexagon Nut	8	M10
6	Spring Washer	12	Φ10	14	Hex Head Bolts	1	M18*45*2.5
7	Large Washer	20	φ10*30*2.5	15	Large Washer	1	Φ18*34*3.0
8	Hex Head Bolts	4	M10*40	16	Spring Washer	1	Φ18

## INSTALLATION PICTURES

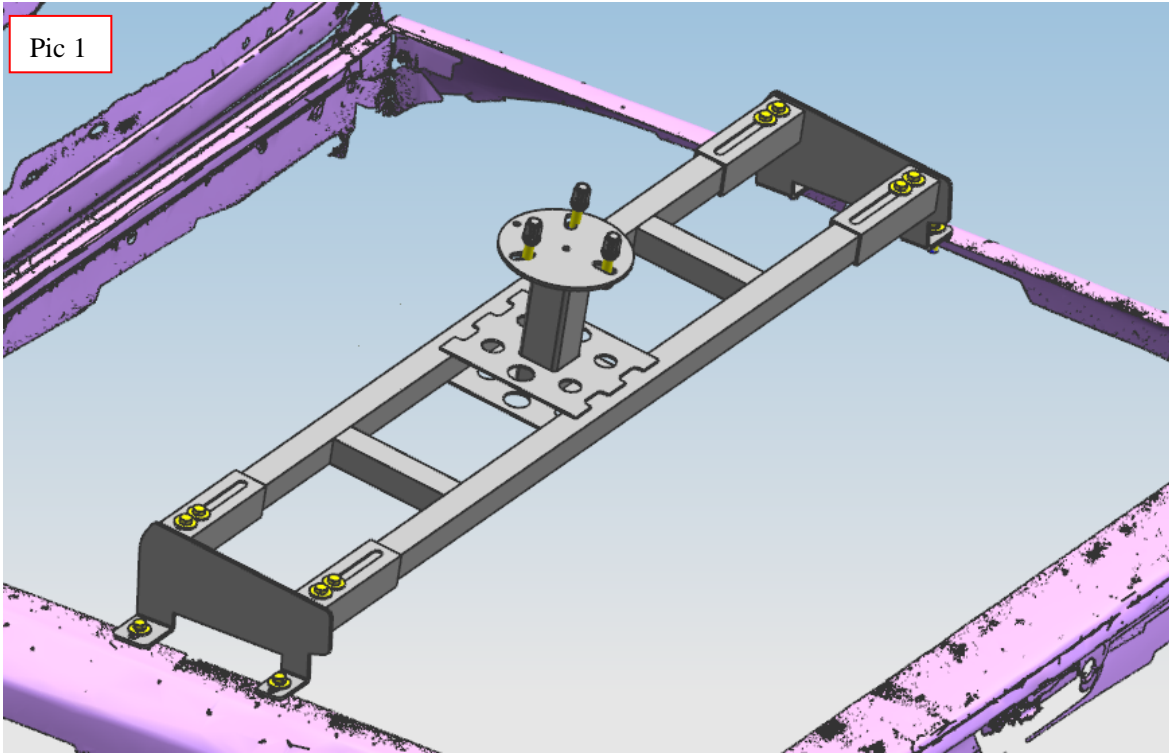


## INSTALLATION PROCEDURE

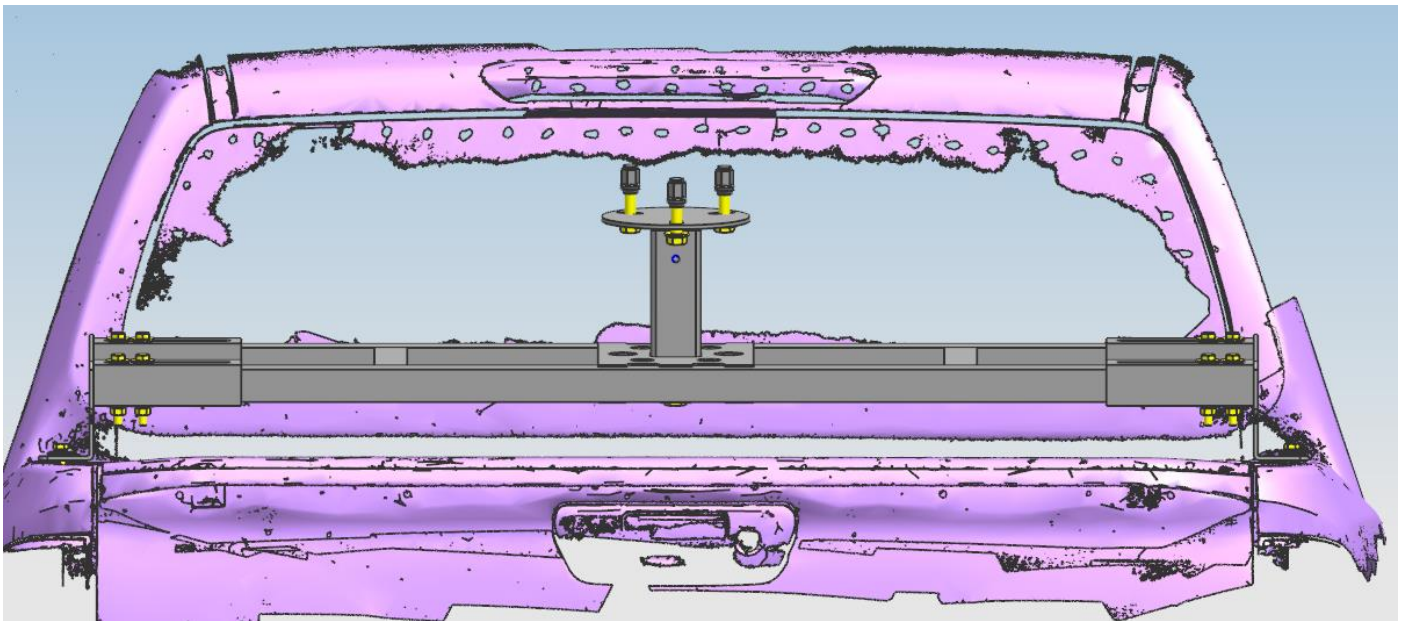
Step 1: Refer to Part List to check if all hard ware are included.

Step 2: As shown in the figure, install the tire holder body and connecting bracket according to the corresponding standard parts in different figures. Next, install the tire fixing parts onto the tire holder body, and then onto the car to complete the installation.

Step 3: Check if all hard ware are installed and then fasten all to complete the installation,as shown in Pic 1.



Step 4: Easy Install refer picture as follow.



**Disclaimer: Caused due to improper installation initiates or some related problem and losses, are beyond our company' s quality assurance.**