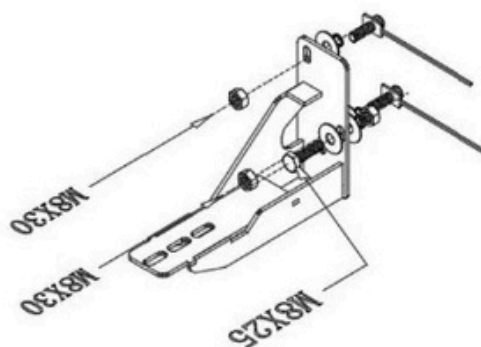
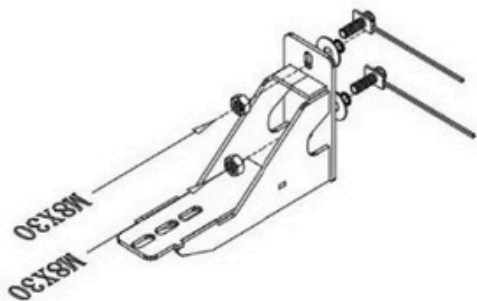
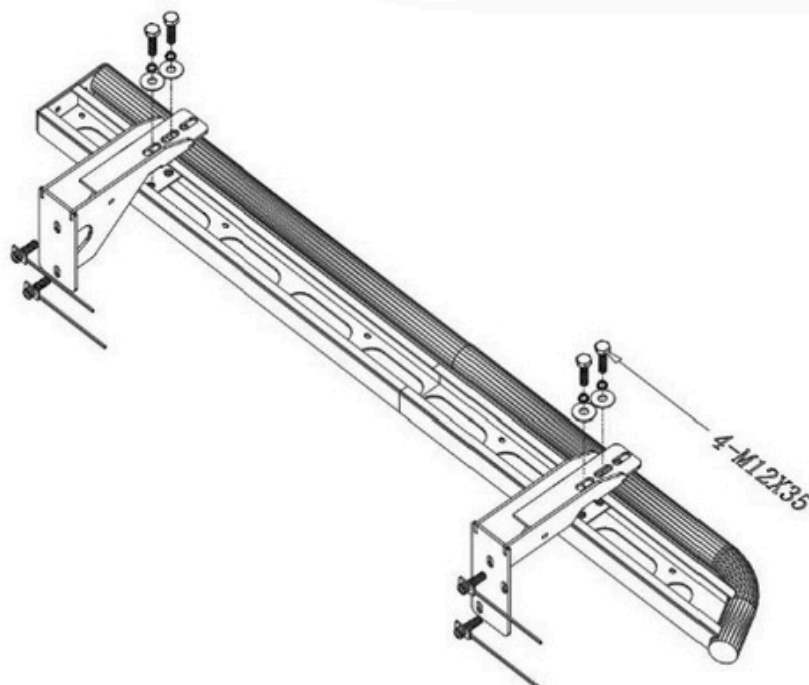


# ASSEMBLY DIAGRAM

1. Refer to the figure below to install the bracket



2. Refer to the figure below to install the bracket



3. Refer to the figure below to install the side guardrail  
(Note: Only one corner or side guardrail can be installed)