

Product instructions for use INSTALLATION MANUAL

Item number: RAG1203033

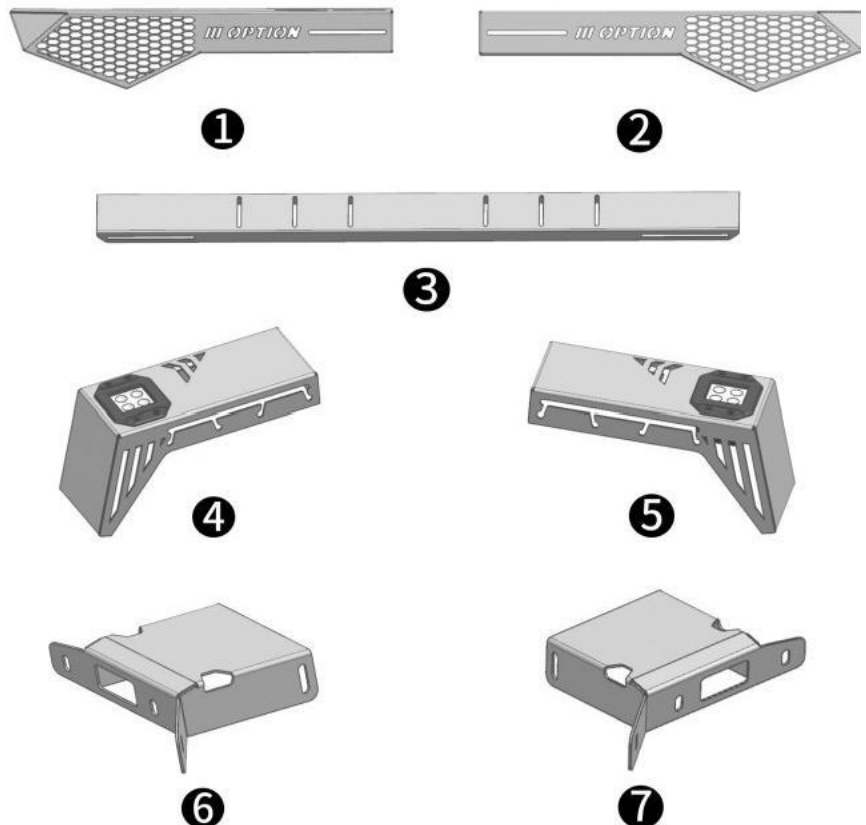
Product name: F16 roll bar with frame for Ranger

1. matters need attention

1. To facilitate your installation, please read the instruction manual carefully before installation; Protect the surface of your car and avoid scratches.
2. Please regularly check whether all the parts connected to the car are loose to ensure safe use.
3. All the pictures in this manual are for reference only. The pictures may be different from the real object, but the installation method is the same.

2. Basic accessories

PACKAGE LISTING	
1.	Side marker plate (left)
2.	Side marker plate (right)
3.	Intermediate connection
4.	Side connector # 2 (left)
5.	Side connector # 2 (right)
6.	Side bracket



	(left)
7.	Side bracket (right)
8.	Upper connector: 1X2

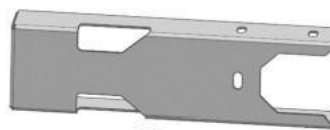
9.	Upper Connector 2x2
10.	Side
11.1	Inner hex flat round head bolt x68
11.2	Hexhex nut x68
11.3	Flat washer x136
11.4	Spring washer, D8x68



8



9



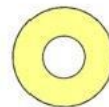
10



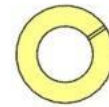
11.1



11.2



11.3



11.4

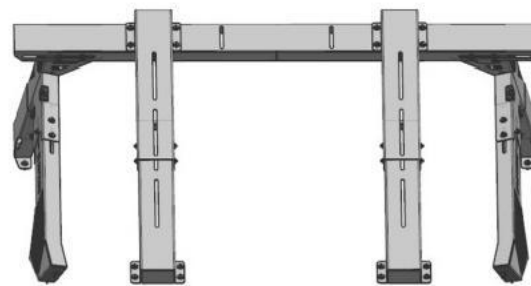
4. Installation schemat

1

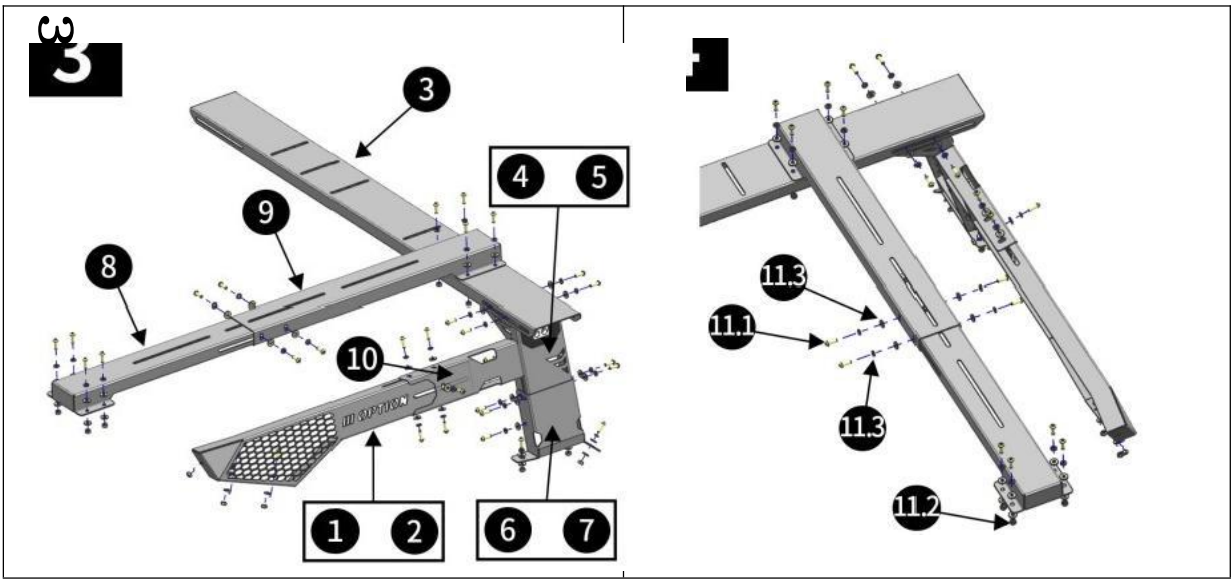


Final installation effect
Figure 1

2



Final installation effect
Figure 2



P2