

# INSTALLATION INSTRUCTION

ITEM NO.: TTN140303A

DESCRIPTION: GRILLE GUARD FOR TRITON 06+ Q235A

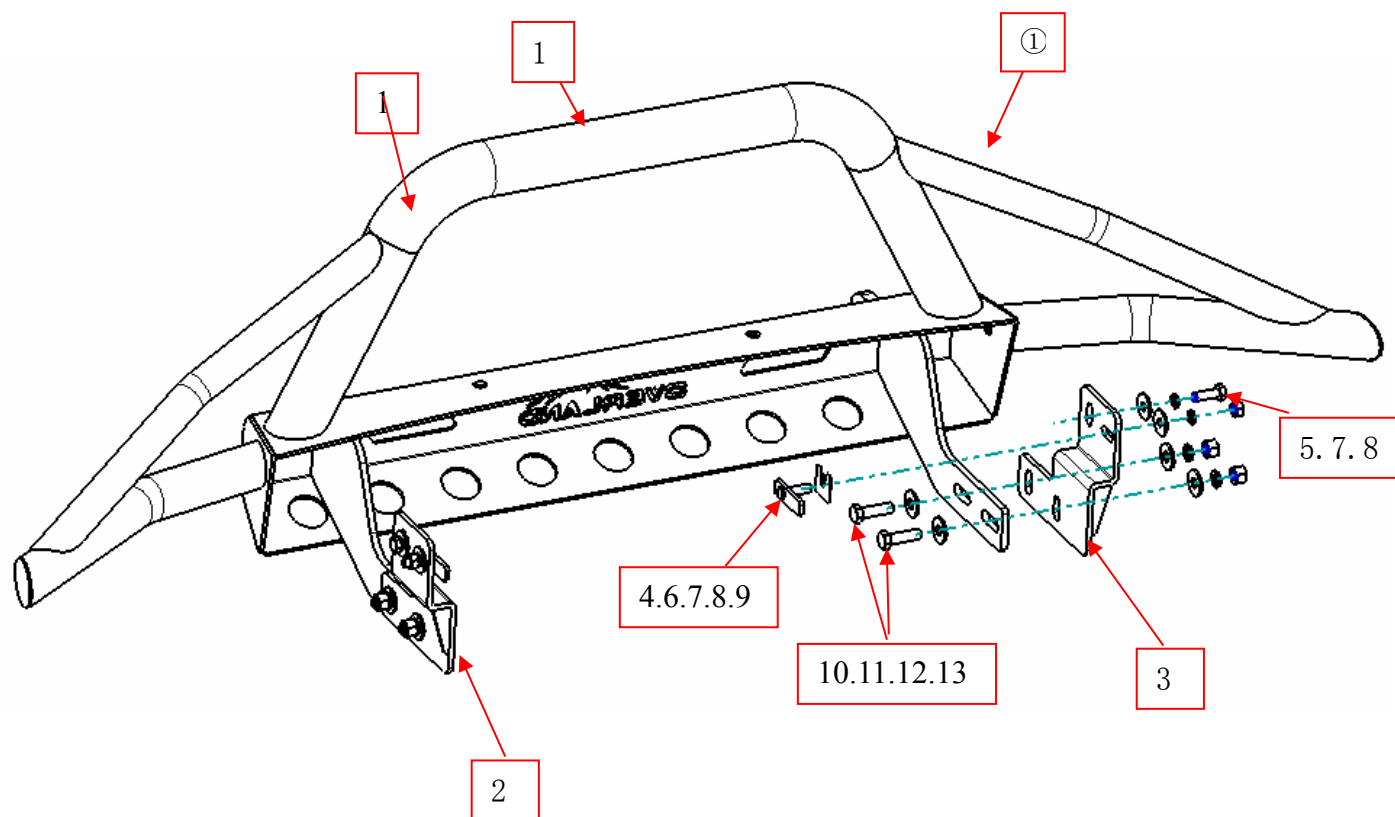
- Please read this installation menu before installing this part. Protect your car properly in case there is any scratch might happen.
- You may need to periodically to re-tighten all hardware for safety use after installation.

Installation pictures are only for your reference, there might be some differences between pictures and real parts but no affection for your fitting.

## PART LIST

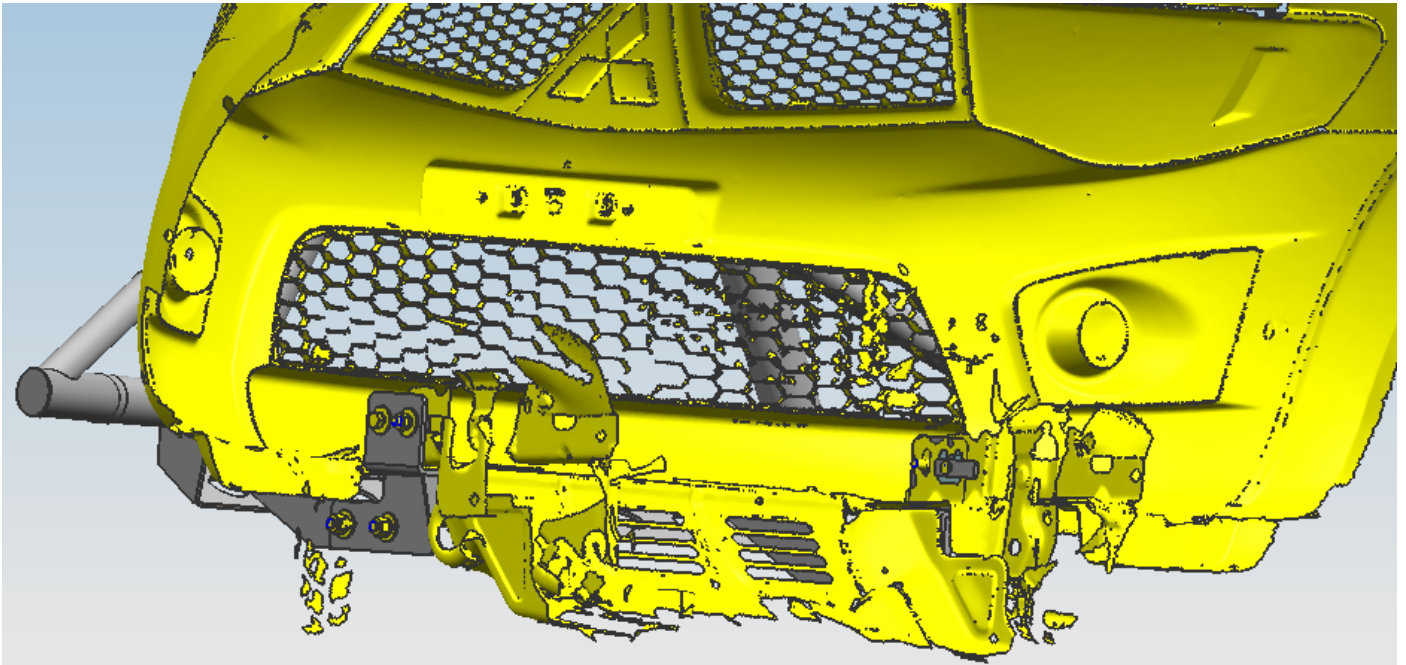
NO.	NAME	QTY	REMARK	NO.	NAME	QTY	REMARK
1	Main body	1		8	Spring washer	4	φ10
2	Brakets left	1		9	Hex nut	2	M10
3	Brakets right	1		10	Hex bolt	4	M12*40
4	T hex bolt	2	M10*35	11	Large washer	8	φ12*30*3.0
5	Hex bolt small thread	2	M10*1.25*30	12	Spring washer	4	φ12
6	Plastic piece	2	M10*35*35	13	Hex nut	4	M12
7	Large washer	4	φ10*30*2.5				

## INSTALLATION PICTURES



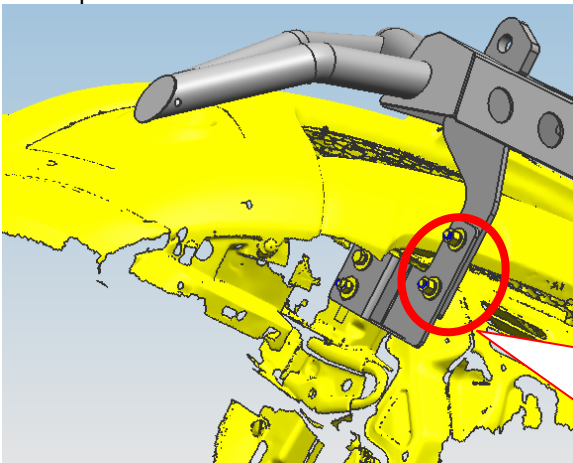
Step 1: Refer to the Part List to check if all hardware are included.

Step 2 Refer to the bottom hole bitmap to install the left bracket and the right bracket P1



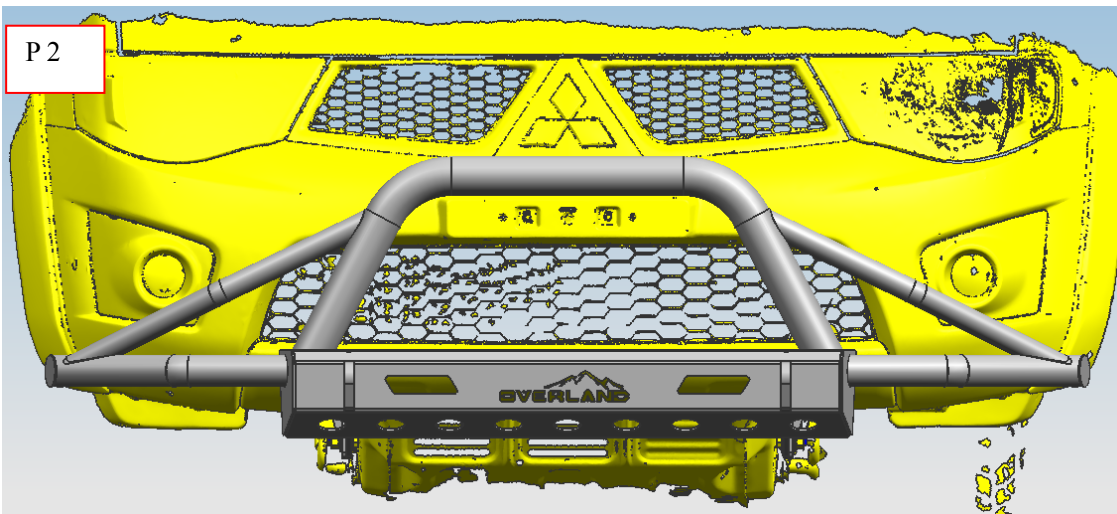
Step 3 Install the main body on the bracket and adjust the mounting position of the bracket according to the position of the main body

Step 4 Check if all hard ware are included and then tighten up all to complete the installation.



M12\*40 Hex bot  
Φ12\*30\*3.0 Large washer  
Φ12 Spring washer  
M12 Hex nut

Step5: The final installation effect as picture below:



Disclaimer: Caused due to improper installation initiates or some related problem and losses, are beyond our company's quality assurance.